

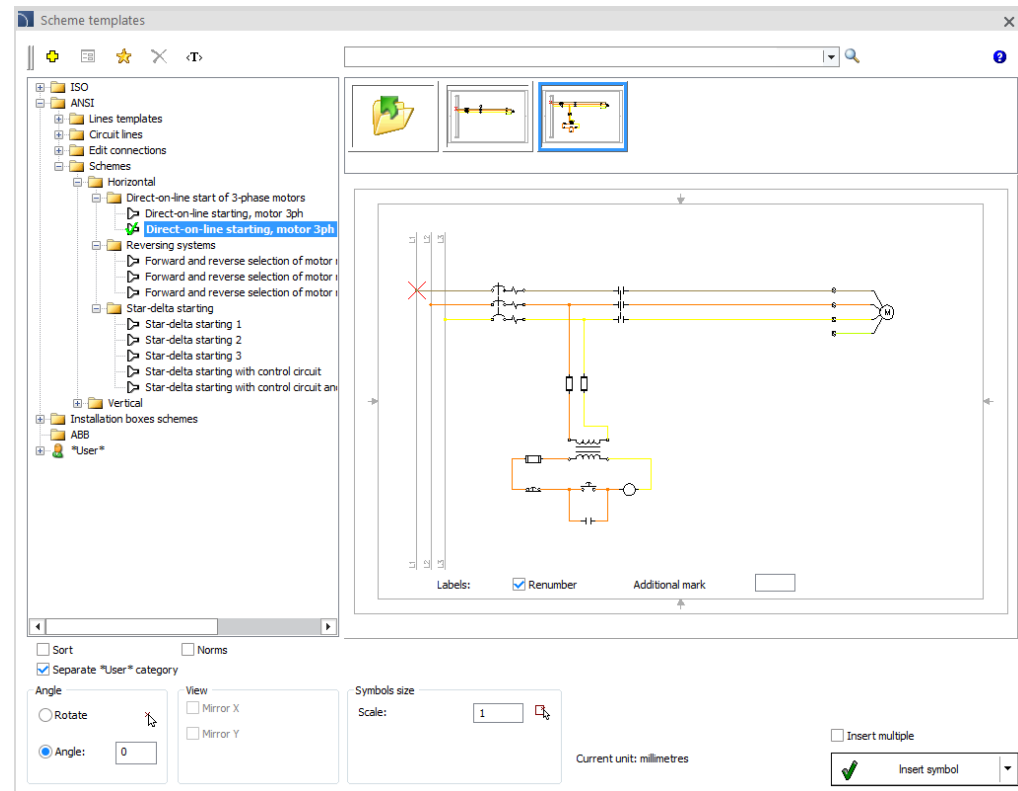


**CADprofi 2017.23**

## ✓ CADprofi Electrical – program library extension

Additional symbols, potential & circuit lines and sample schemes have been added to the program, including:

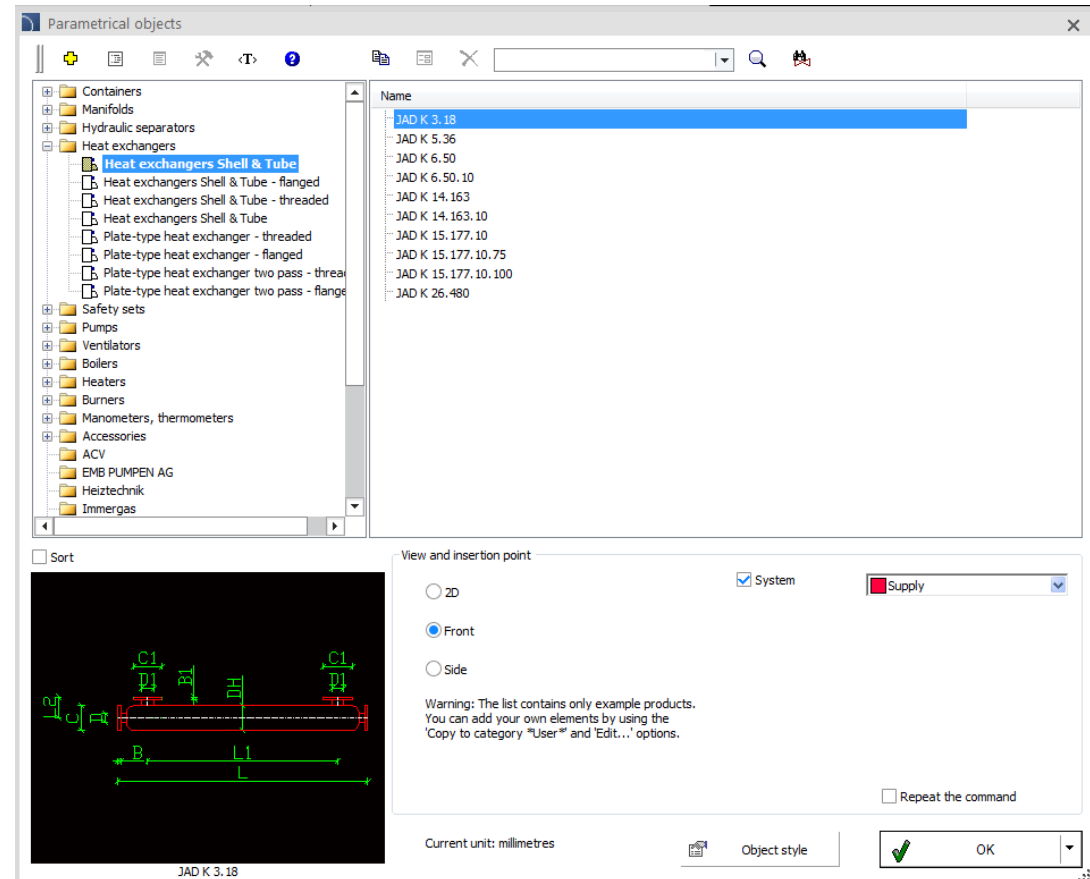
- electrical symbols (IEC, NFPA);
- vertical and horizontal complex symbols (NFPA);
- potential and circuit lines (IEC, ANSI);
- vertical and horizontal schemes templates (ANSI).



## ✓ CADprofi HVAC & Piping – addition of heat exchangers to the library

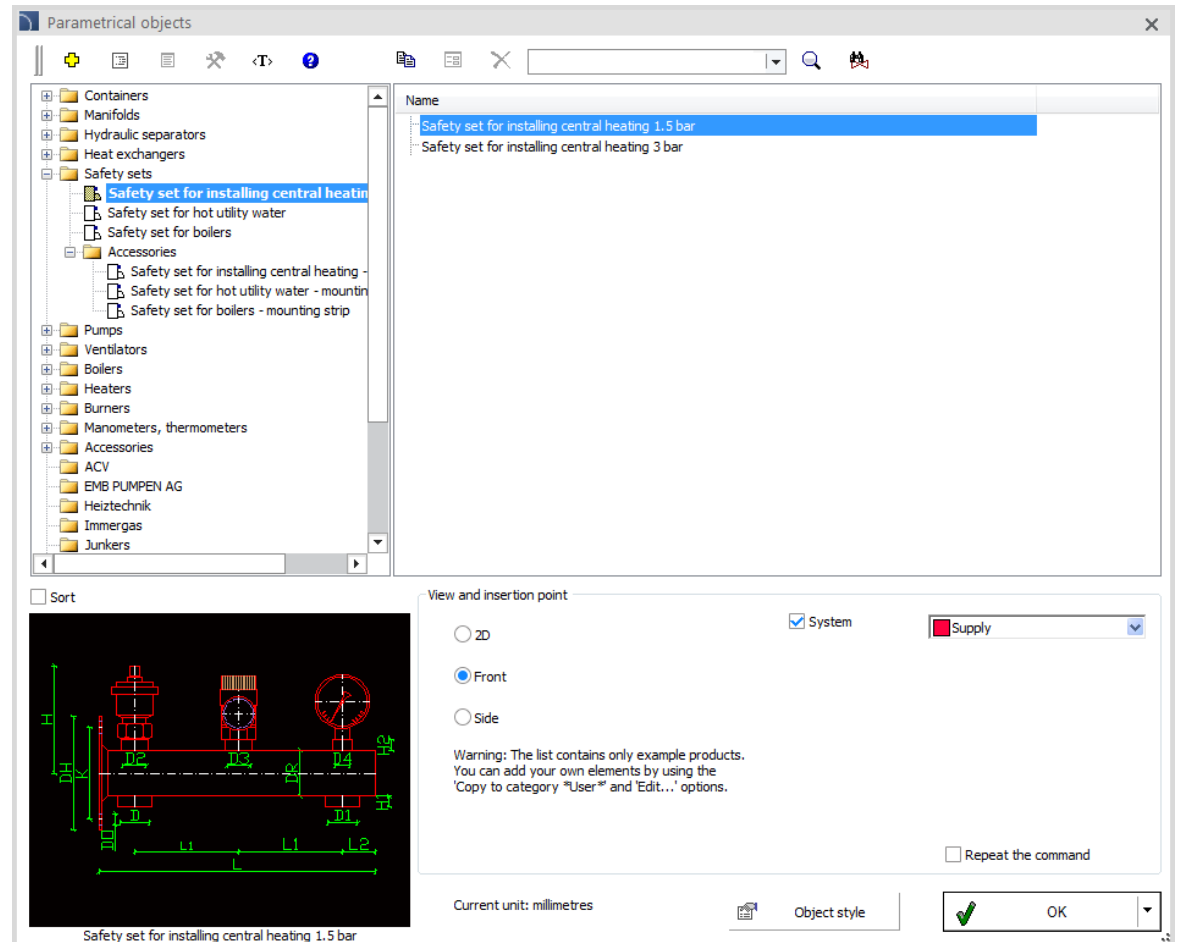
Do biblioteki programu dodano wymienniki ciepła, w tym:

- heat exchangers Shell & Tube;
- plate type heat exchangers;
- plate type heat exchangers two pass.



## ✓ CADprofi HVAC & Piping – addition of safety sets to the library

Safety sets used in central heating, hot utility water and for boilers that protect against dangerous pressure rise have been added to the program.





# CADprofi

## ✓ CADprofi HVAC & Piping – additional drawing style for 2D pipelines


Additional drawing style for pipelines in general view (used for example in bent pipes) have been added to the program.



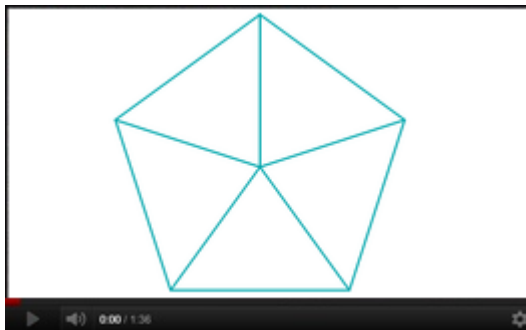
Installation and drawing	
Installation	Supply
Type	Pipe
Manufacturer and type	
	Pipe
	Pipe - style 2

Installation and drawing	
Installation	Supply
Type	Elbow - style 2
Manufacturer and type	
	Elbow
	Elbow - style 2
Manufacturer	Two-segment elbow
	Segmented elbow
Type	

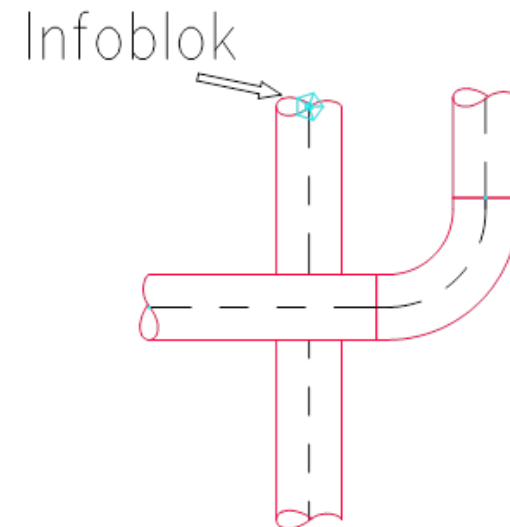
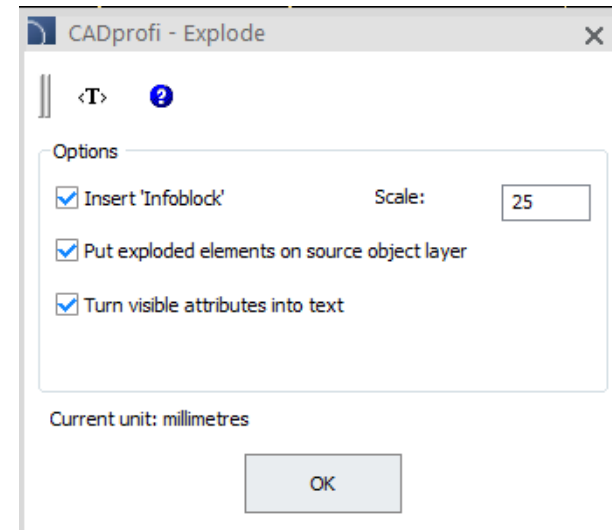
## ✓ CADprofi - Explode

New command *CADprofi - Explode*  has been added to the program. This command explodes the indicated CADprofi blocks, allowing to freely edit the drawing without the loss of information from the exploded elements.

In case of indicating the *Insert 'Infoblock'* option the program creates a special block, to which all data from the exploded element will be taken over. This block will be placed on layer that is not visible on printouts, but its attributes will be included in specifications.

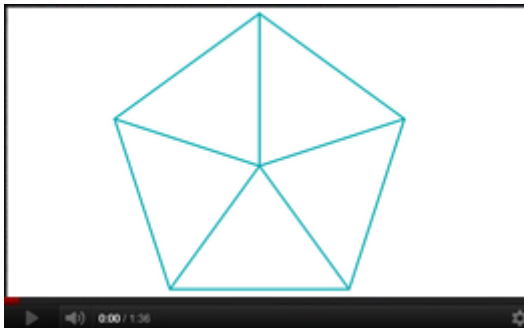


[Video – 'CADprofi Explode' + Infoblocks](#)

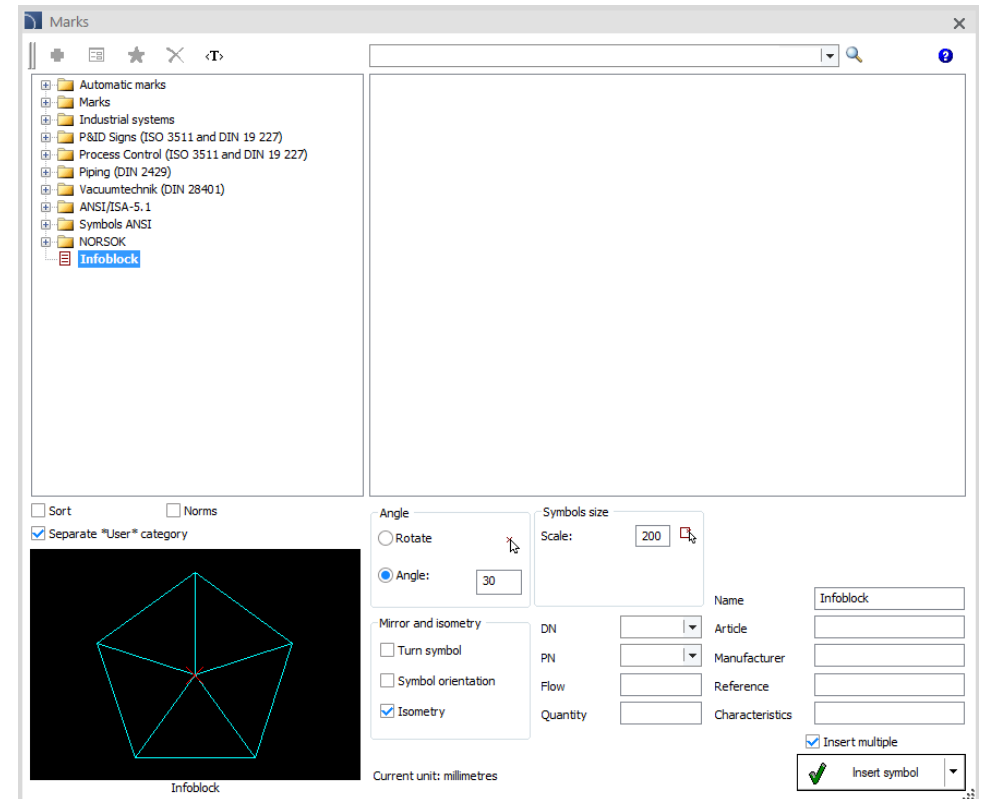


## ✓ Infoblocks in CADprofi program libraries

*Infoblocks* have been added to CADprofi libraries. They contain a set of attributes that user can freely fill. Thanks to Infoblocks user can insert a special block into the drawing whose attributes will be included in specifications, but the block itself will not be visible on printouts.



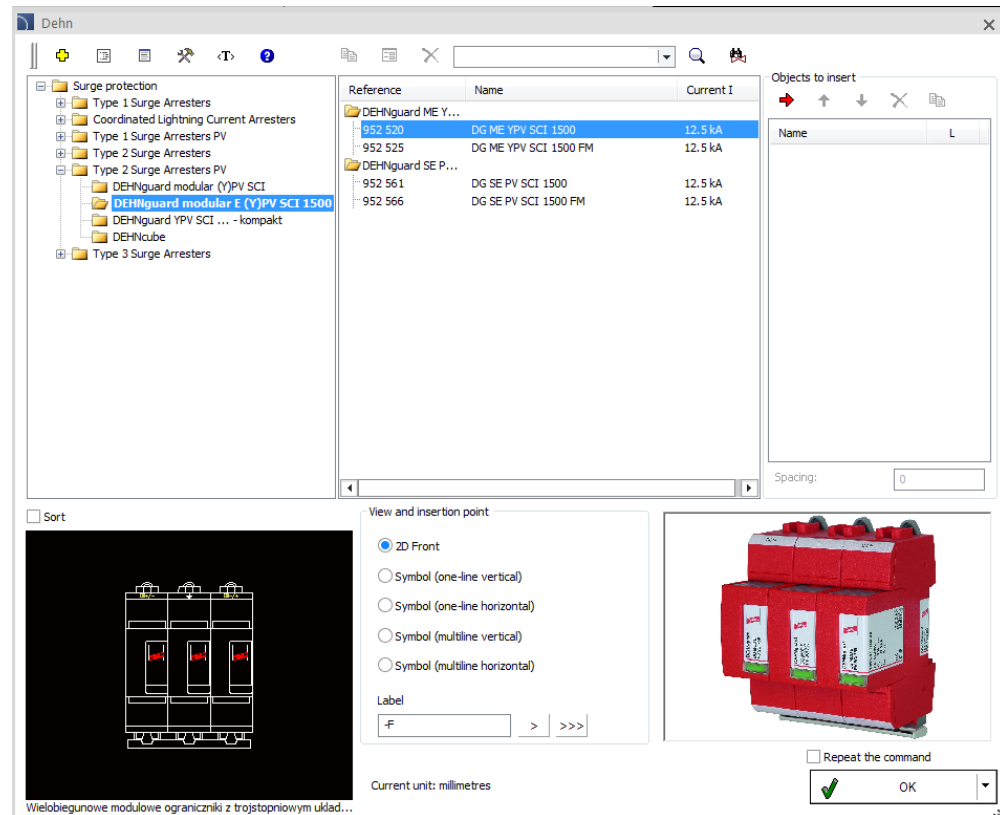
[Video – 'CADprofi Explode' + Infoblocks](#)



## ✓ New Dehn library

New library that is available in CADprofi program contains surge protection products, including:

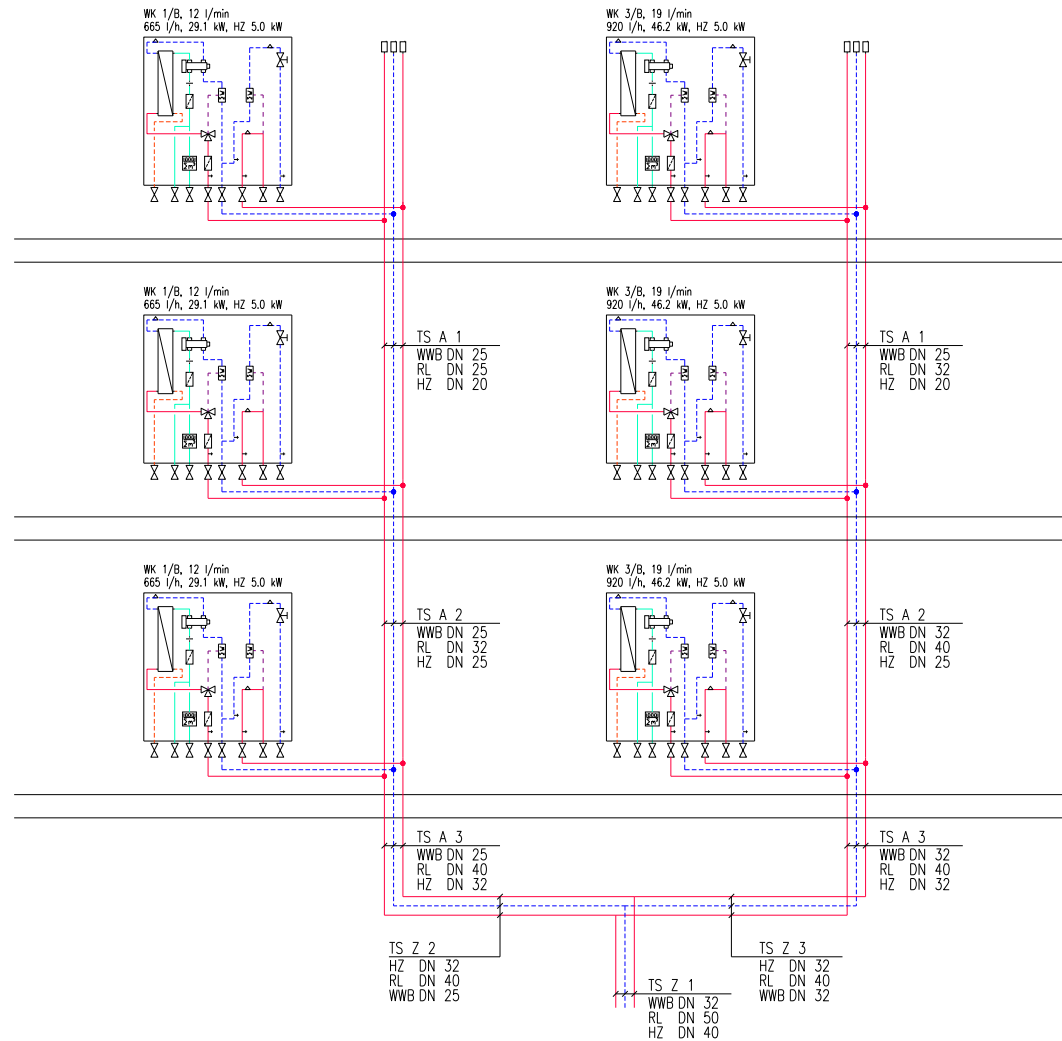
- type 1 surge current arresters;
- type 1 surge arresters PV;
- type 2 surge arresters;
- type 2 surge arresters PV;
- type 3 surge arresters;
- coordinated lightning current arresters.





## ✓ Changes in the KaMo library

3-wire housing stations have been added to the program. These stations are also included in comprehensive hydraulic calculations and in the schemes generator.





# CADprofi

✓ Update of manufacturers' libraries:





# CADprofi

## ✓ Adjustment to many base CAD programs

CADprofi 2017.23 has been adjusted to work with latest CAD programs, including: ArCADia PLUS 10.3, progeCAD 2018, CMS IntelliCAD 8.3, ZWCAD 2018.

CADprofi 2017 currently works with many base CAD programs including: AutoCAD (since the 2000 version), BricsCAD, GstarCAD, IntelliCAD, progeCAD, ZWCAD, ARES Commander Edition and others.

The logo for AutoCAD, featuring the word 'AutoCAD' in a bold, red, sans-serif font with a registered trademark symbol.

The logo for ZWCAD, featuring the word 'ZWCAD' in a bold, blue, sans-serif font with a green leaf-like graphic above the 'W'.

The logo for GstarCAD, featuring the word 'GstarCAD' in a bold, blue, sans-serif font with a yellow 'G' and 'star' in blue, and the tagline 'An Alternative CAD System' below it.

The logo for BricsCAD, featuring a stylized blue 'B' shape above the word 'BRISCAD' in a bold, black, sans-serif font.

The logo for progeSOFT, featuring a blue globe with a yellow 'I' shape above the word 'progeSOFT' in a blue, sans-serif font.

The logo for IntelliCAD, featuring a purple diamond shape with a yellow 'I' shape above the word 'IntelliCAD' in a bold, purple, sans-serif font.



**CADprofi**



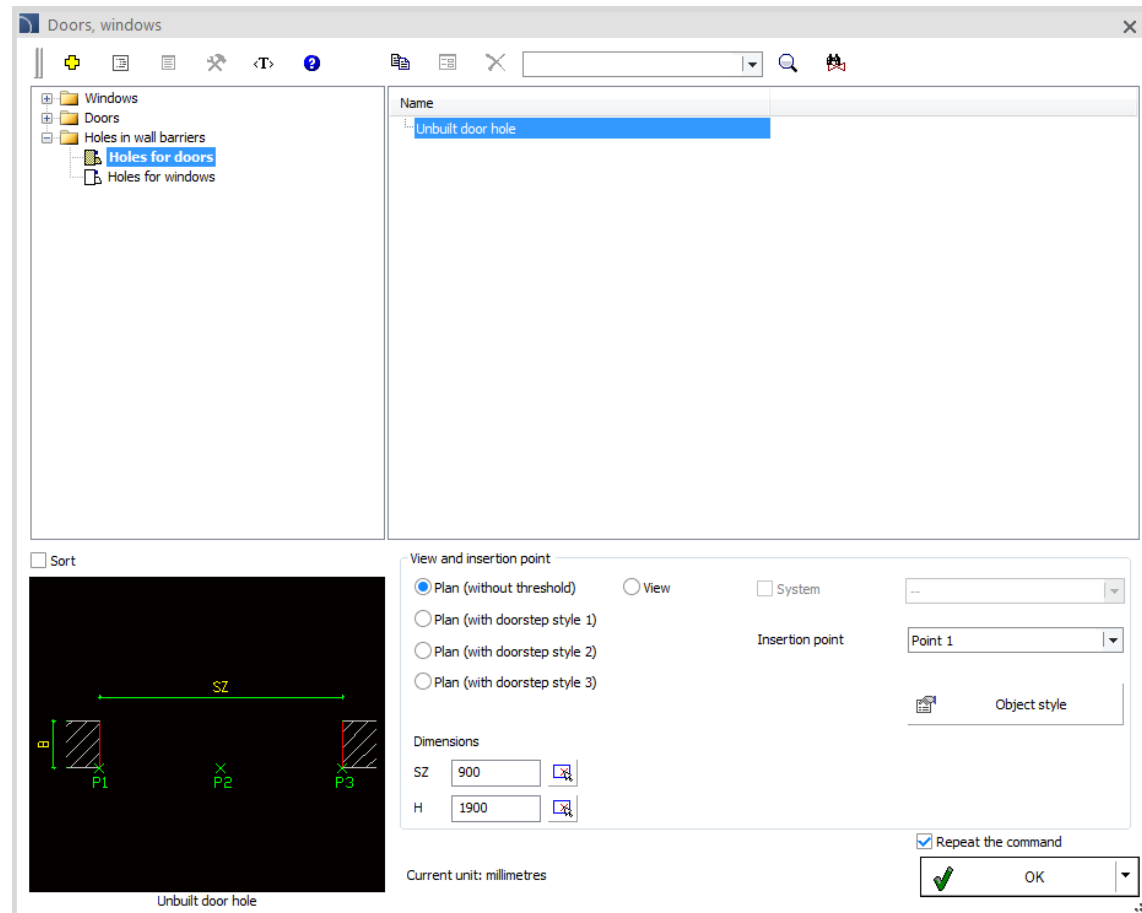
**CADprofi 2017.17**



# CADprofi

## ✓ CADprofi Architectural – holes in wall barriers

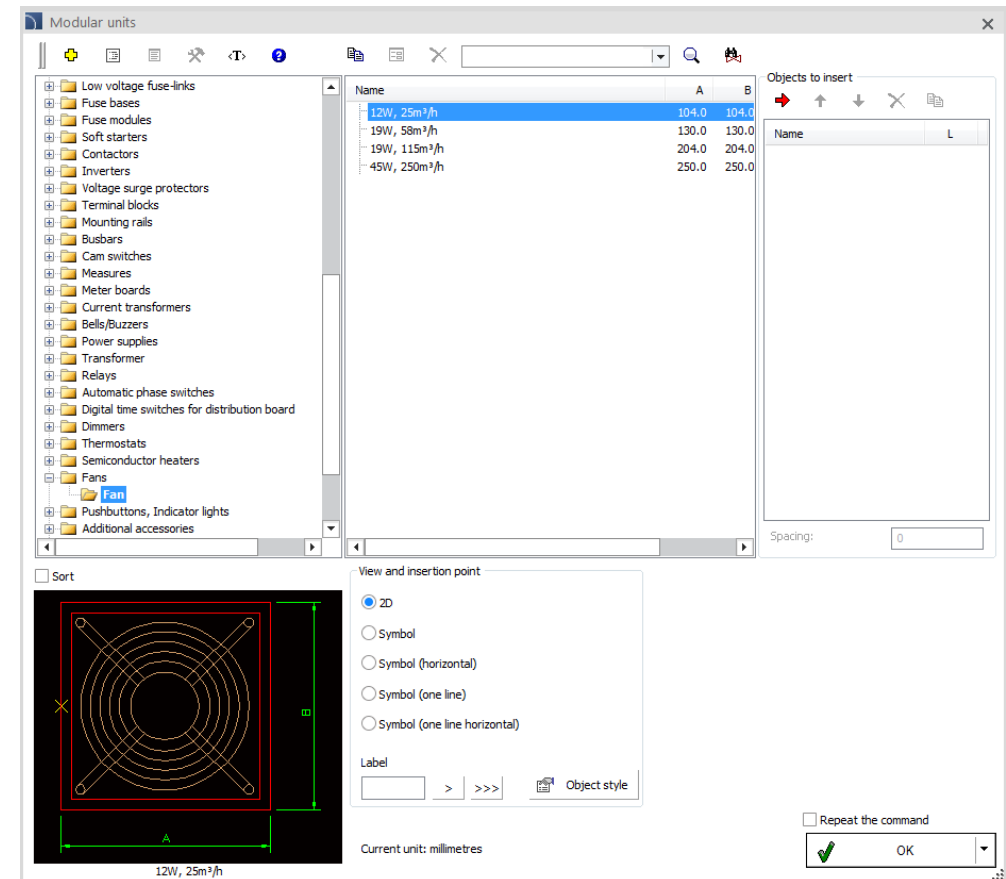
Holes in wall barriers (unbuilt door hole and unbuilt window hole) have been added to the program.



## ✓ CADprofi Electrical – extension of the program library

Additional symbols and modular apparatus elements have been added to the program, including:

- Residual current circuit breaker with overcurrent protection 3-phase;
- Disconnectors with lamp 2-pole;
- Switch for panel mounting;
- Changover switch for panel mounting;
- Switches;
- Modular analogue and digital ammeter;
- Modular analogue and digital voltmeter;
- Installation relay;
- Interface relay;
- Time relay, flush mount version;
- Time relay for starting;
- Priority relay;
- Astronomical & digital time switch with weekly & yearly program;
- Shunt trip and undervoltage release;
- Front and side mountable auxiliary contact,
- Rotary handle,
- Direct and door handle,
- Residual-current boxes, characteristics A, AC, B,
- Selective residual-current boxes A, AC, B;
- Two states control lamp;
- Fuse modules;
- Semiconductor heaters and electrical fans;
- Auxiliary contact for motor contactor.

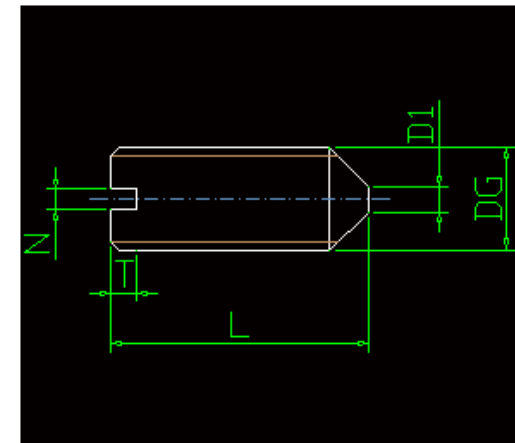
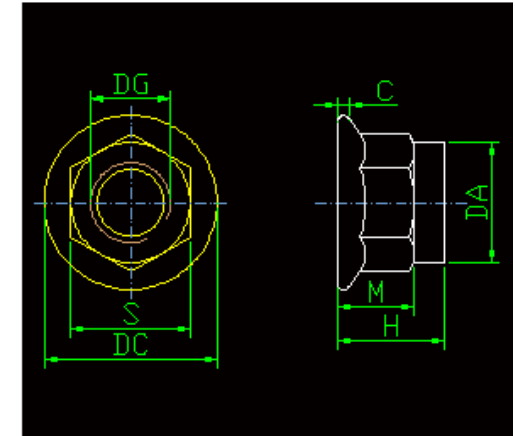


Additional signal cables and lighting have been added to the program.

## ✓ CADprofi Mechanical – additional DIN, EN, ISO standards

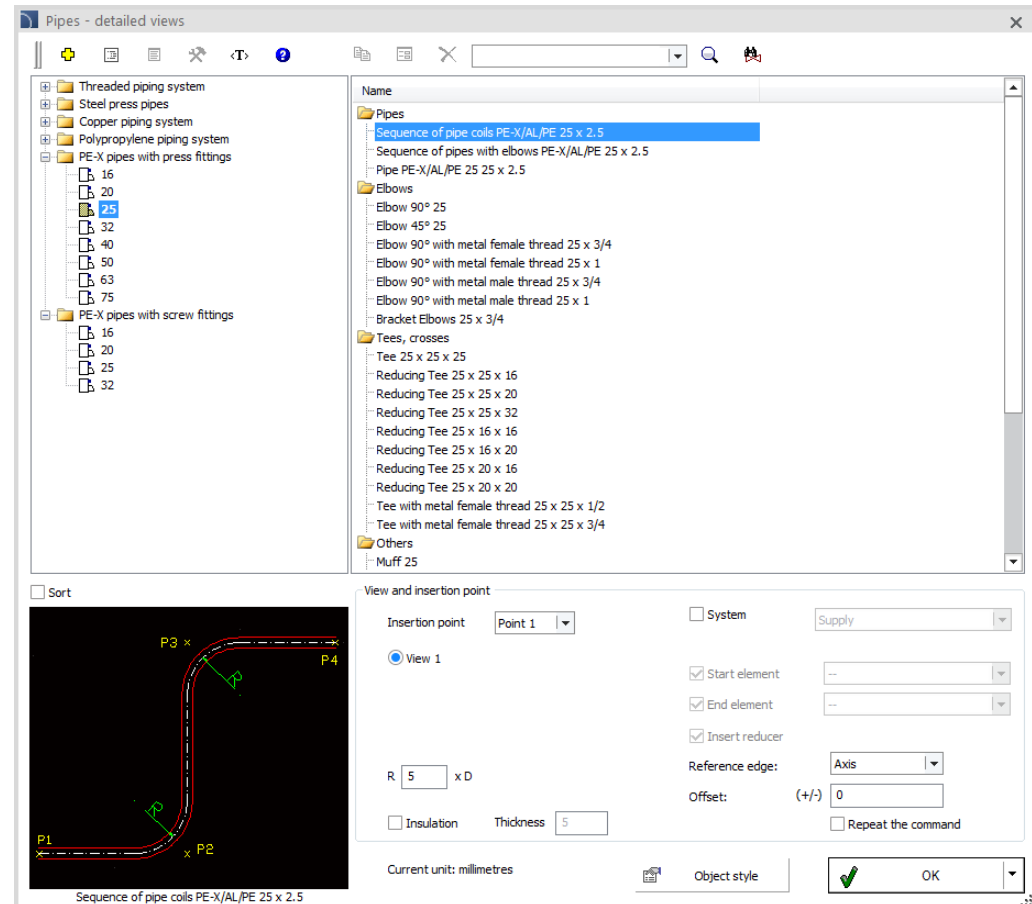
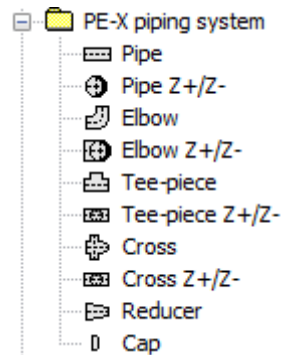
New standardized elements have been added to the program, including:

- DIN EN ISO 2342 - Slotted headless screw with shank,
- DIN EN ISO 8735 - Parallel pin with internal thread,
- DIN EN ISO 8746 - Grooved pin with round head,
- DIN EN ISO 8765 – Hexagon head bolt with metric fine pitch thread product A and B,
- DIN EN 14399-6 - Plain washer, chamfered, hardened and tempered for high-strength structural bolting,
- DIN EN 14399-8 - System HV - Hexagon fit bolt
- DIN EN 27435 - Slotted set screw with long dog point,
- DIN 920 – Slotted pan head screws with small head,
- DIN 921 - Slotted pan head screws with large head,
- DIN 923 – Slotted pan head screws with shoulder,
- DIN 927 – Slotted shoulder screws,
- DIN 986 – Prevailing torque type hexagon domed cap nuts,
- DIN 6888 – Woodruff key,
- DIN 6912 – Hexagon socket head cap screws with centre, with low head,
- DIN 7349 – Plain washers for bolts with heavy clamping sleeves,
- DIN 7603 – Sealing ring,
- DIN 7968 - Hexagon fit bolt,
- DIN 7984 – Hexagon socket head cap screws with low head,
- ISO 2342 - Slotted headless screw with shank,
- ISO 4766 - Slotted set screws with flat point,
- ISO 7041 - Prevailing torque type hexagon nut,
- ISO 7043 - Prevailing torque type hexagon nut with flange,
- ISO 7044 - Prevailing torque type hexagon nut with flange,
- ISO 7719 - Prevailing torque type hexagon nut,
- EN 14399-8 - System HV - Hexagon fit bolt.



## ✓ CADprofi HVAC & Piping – PE-X Piping system and fittings

PE-X Piping system (with screw and press fittings) have been added to the *Pipes- general views* and *Pipes – detailed views* commands. This system is used in hot and cold water installations, as well as, in central heating.





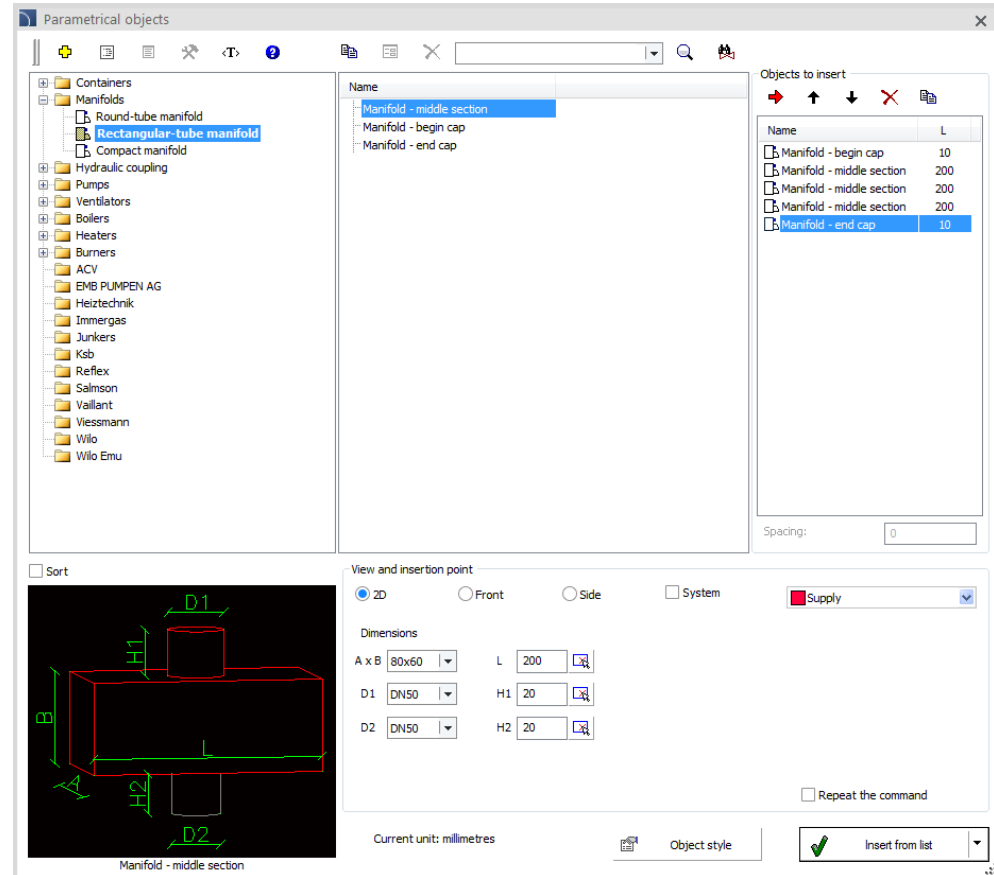
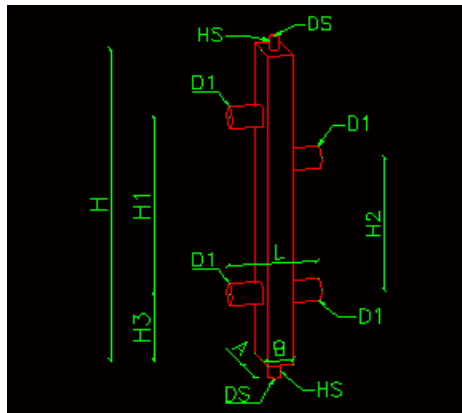


# CADprofi

## ✓ CADprofi HVAC & Piping – upgraded insertion of manifolds

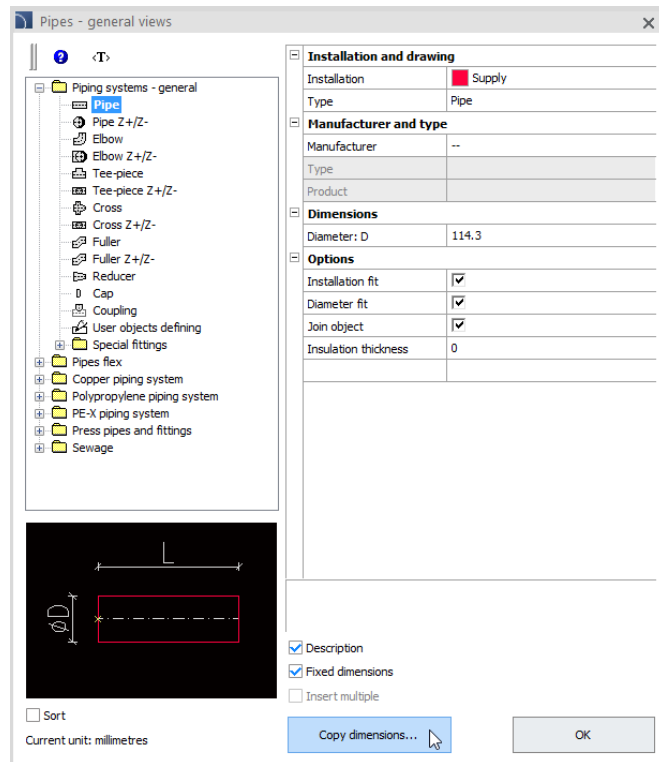
In the current program version the definition of manifolds is fully parametric, which makes it easier to define a manifold and its caps. In addition, individual sections can be added to the objects to insert list, allowing user to immediately insert the entire manifold into the drawing.


Additionally a round type and compact hydraulic couplings have been added to the program.



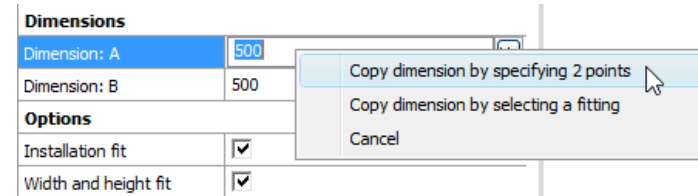
## ✓ CADprofi HVAC & Piping – copying dimensions

In pipes and duct in general views an additional *Copy dimensions* option has been added.

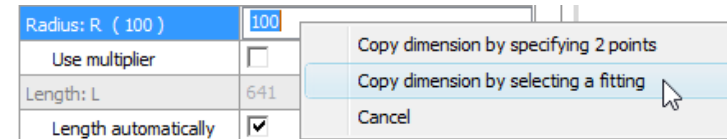


In general views a possibility to retrieve dimensions by right clicking  the mouse button and afterwards have been added to the program. Thanks to this user can:

- Copy dimension by indicating two points:



- Copy dimension by selecting a fitting:

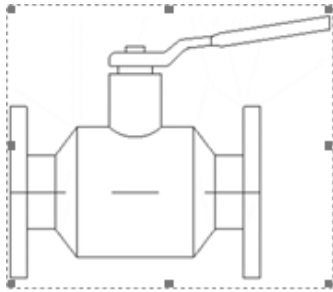



## ✓ Using commands from the context menu

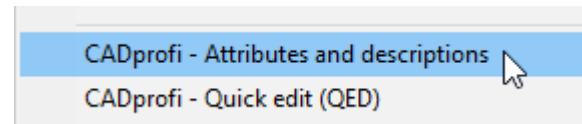
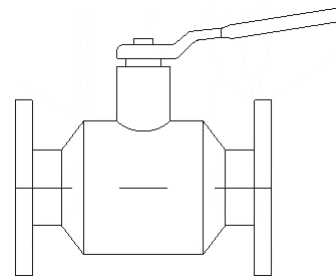
In selected CAD programs, some commands are available in the context menu (right mouse button):

- Attributes and descriptions,
- Quick edit.

1. Indicate an object on the drawing



2. Click the right mouse button 





# CADprofi

## ✓ Repeat the command. Insert multiple

For some dialog windows an additional options that enhance functionality have been added:

- **Repeat the command** - allowing for automatic repetition of the last command without the need to manually run the command dialog window from menu or toolbar.

Repeat the command

- **Insert multiple** - allowing for multiple insertion of the selected object to the drawing with bypassing the dialog window. In this case, the command can be cancelled by pressing the *Esc* key.

Insert multiple

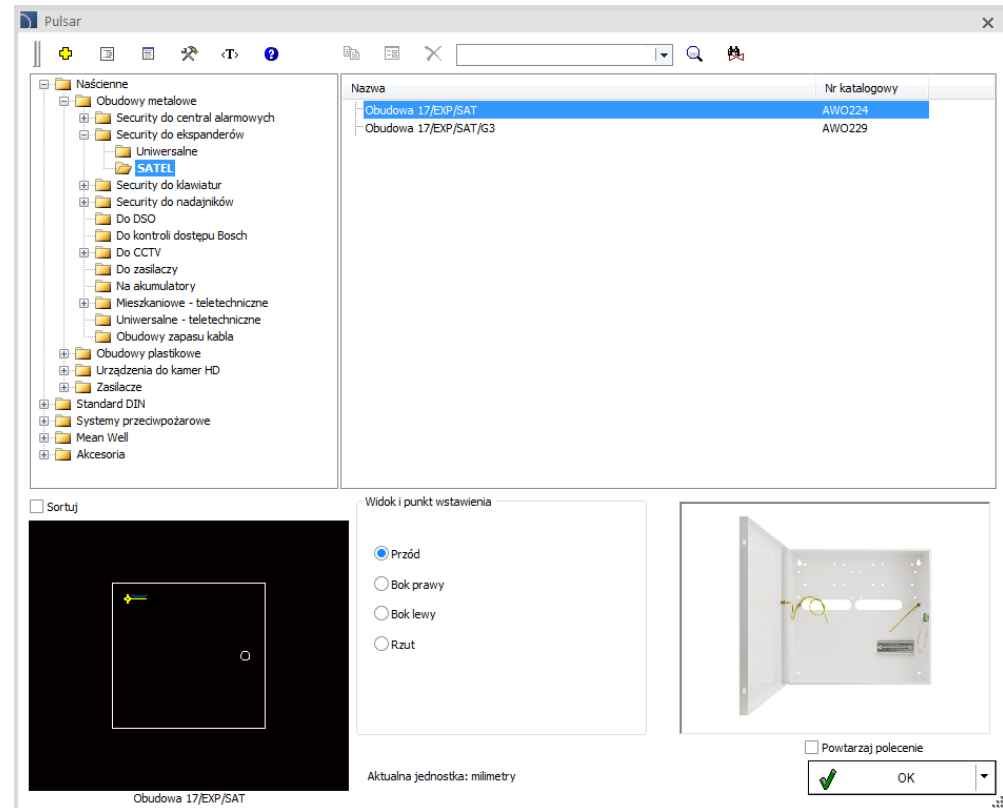


# CADprofi

## ✓ New Pulsar library

New Pulsar library that contains covers and power supplies has been added to the program.

Library is available only in Polish language.



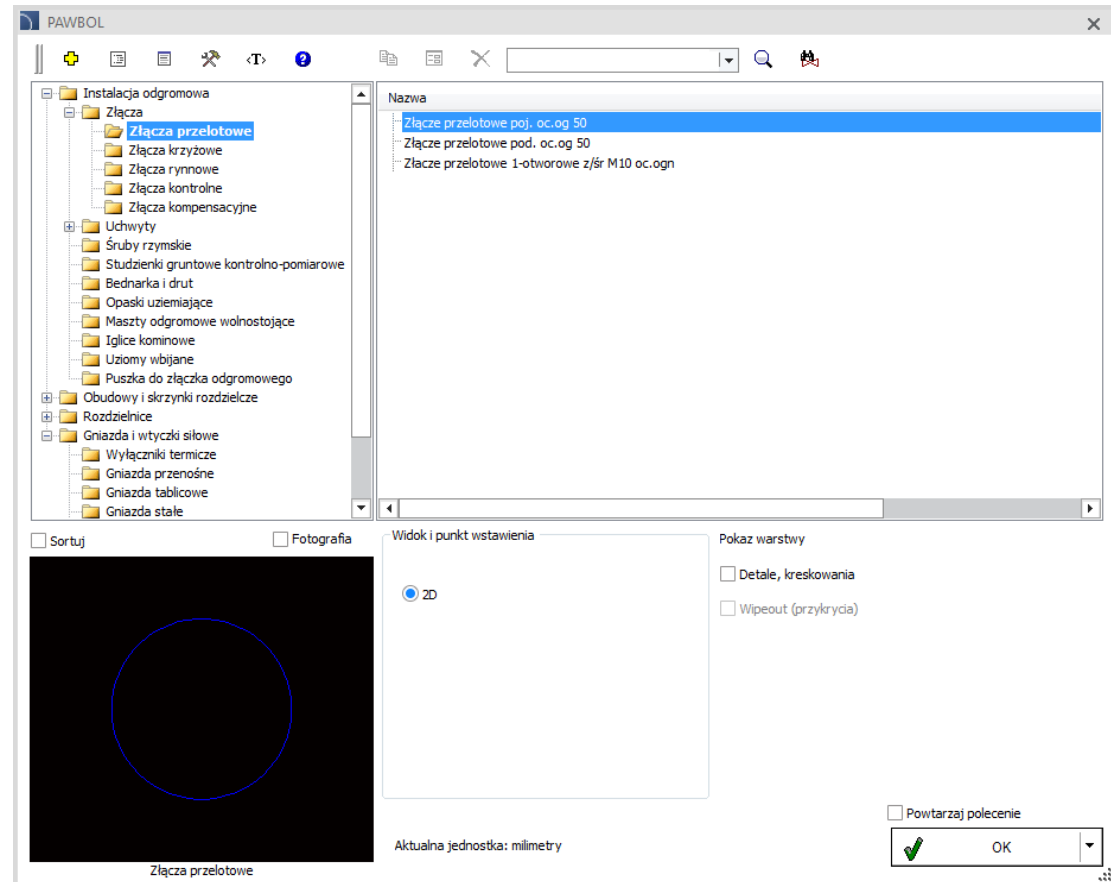


# CADprofi

## ✓ New Pawbol library

New Pawbol library that contains distributors and lighting protection systems has been added to the program.

Library is available only in Polish language.





# CADprofi

## ✓ New Trilux library

New Trilux library that contains lighting has been added to the program.

Library is available only in Polish language.

In case of importing DIALux stf files that contain Trilux products, then the appropriate lighting from Trilux is being added to the CAD program.



**TRILUX**  
SIMPLIFY YOUR LIGHT.

The screenshot shows the Trilux software interface. On the left, a tree view displays a library of lighting fixtures, with 'Siella G3 M73 (600x600)' selected. The main window shows a table of fixtures with columns for Name, Power, Efficiency, and Light Output. The table lists various models like 'OTA 19', 'OTA 22', and 'Siella G3 M73' with their respective specifications. On the right, a 'Wstawiane obiekty' (Insert objects) panel shows a list of selected fixtures with their names and light output values. Below the table, there are controls for 'Sortuj' (Sort), 'Punkt wstawienia' (Insert point), and 'Punkt bazowy' (Base point). A '2D Widok' (2D View) section shows a 2D representation of a square fixture with a red 'X' indicating the insertion point. A descriptive text block provides technical details about the Siella LED fixtures, including their energy efficiency, ease of installation, and long lifespan. At the bottom right, there are buttons for 'Powtarzaj polecenie' (Repeat command) and 'Wstaw z listy' (Insert from list).

Nazwa	Moc	Wydajno...	Strumień...
OTA 19			
Siella G3 M73 OTA19 LED3200-8...	34 W	94 lm/W	3200 lm
Siella G3 M73 OTA19 LED3200-8...	34 W	94 lm/W	3200 lm
Siella G3 M73 OTA19 LED3400-8...	34 W	100 lm/W	3400 lm
Siella G3 M73 OTA19 LED3400-8...	34 W	100 lm/W	3400 lm
OTA 22			
Siella G3 M73 OTA22 LED3200-8...	34 W	94 lm/W	3200 lm
Siella G3 M73 OTA22 LED3200-8...	34 W	94 lm/W	3200 lm
Siella G3 M73 OTA22 LED3400-8...	34 W	100 lm/W	3400 lm
Siella G3 M73 OTA22 LED3400-8...	34 W	100 lm/W	3400 lm

Siella LED sprawdza się w zastosowaniach biurowych dzięki energooszczędności, łatwej instalacji, przyjemnemu światłu i niskim kosztom inwestycji. Dostępność modeli z UGR 19 (do pracy biurowej) i 22 (do oświetlenia ogólnego) pozwala oświetlić zróżnicowane obszary przy użyciu opraw jednej linii. Nie tylko ułatwia to planowanie i obniża koszty realizacji, ale także zapewnia jednolity, estetyczny wygląd sufitów, stanowiąc idealne rozwiązanie do nowoczesnych biur. Wersja M73 - do sufitów rastrowych, wymiar 600x600. Trwałość L80(tq 25 °C) = 35.000 h.



# CADprofi

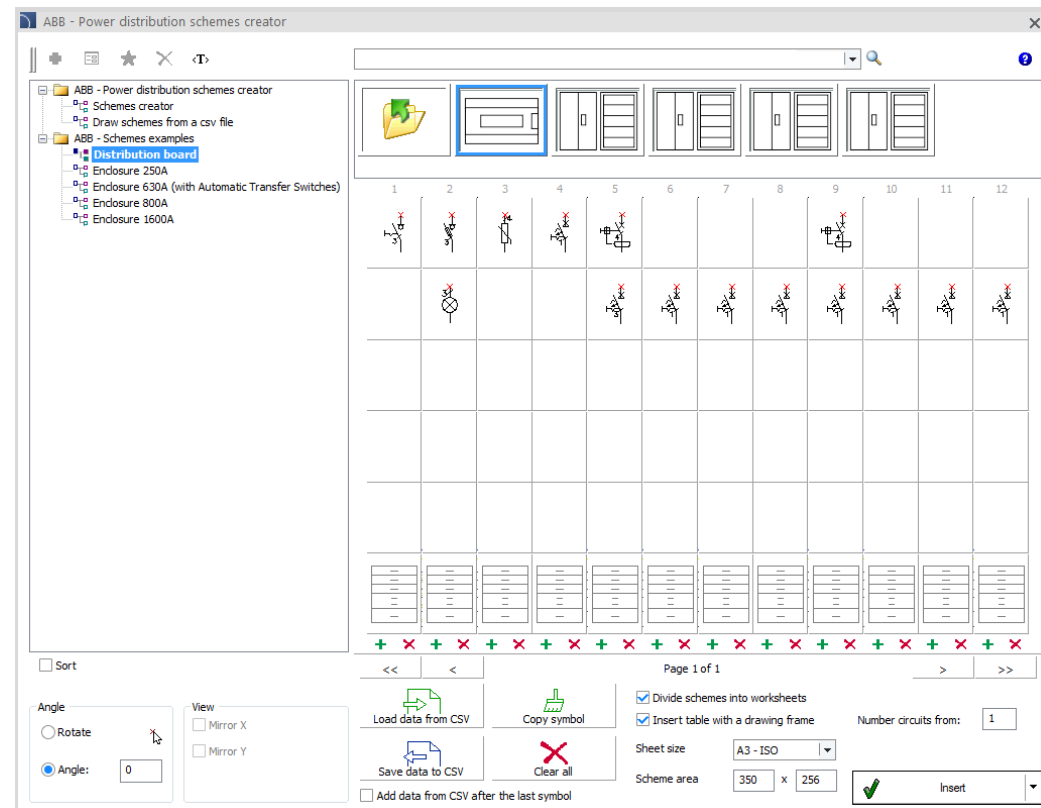
## ✓ New ABB library

An intuitive and easy to use ABB library automates the design of electrical installations using ABB products. Library is currently translated in Polish and in English. More languages will come soon.

ABB library includes the following categories:

- Low voltage apparatus and cabinets contains a complete library of ABB products, including: modular and measuring apparatus, photovoltaics, circuit breakers and disconnectors, ABB i-bus KNX and ABB free@home® system devices, cabinets and others.
- Power distribution schemes creator that allows to easily create an electrical installation project with ABB products.
- Low voltage systems that includes products from the call ABB SIGNAL and video intercom ABB WELCOME systems.
- Low voltage systems that includes exemplary schemes: ABB i-bus KNX, ABB free@home®, ABB SIGNAL and ABB WELCOME.

[Watch ABB library movie](#)

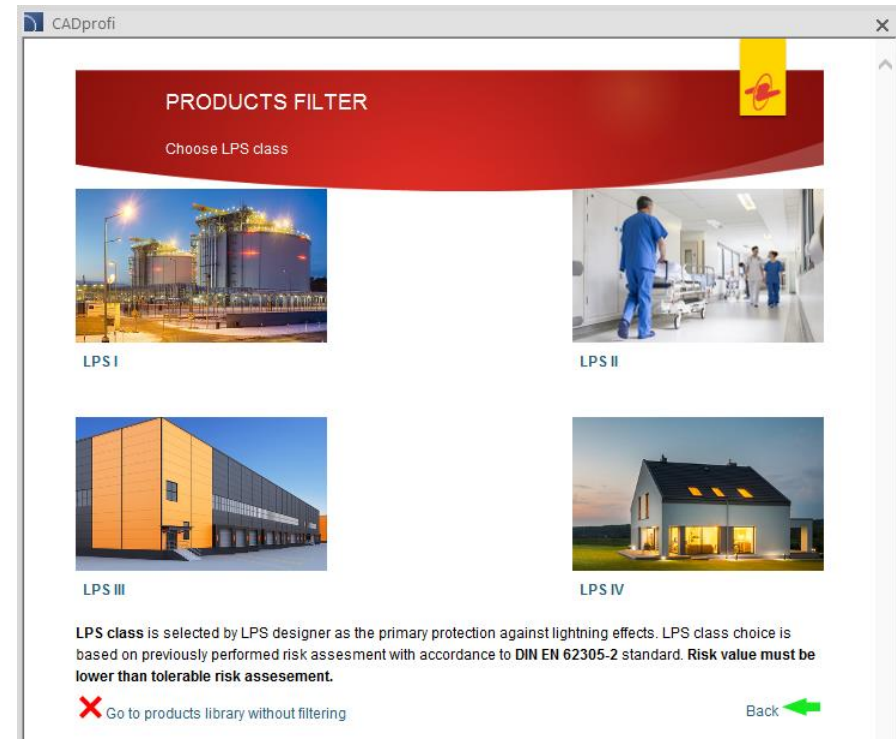
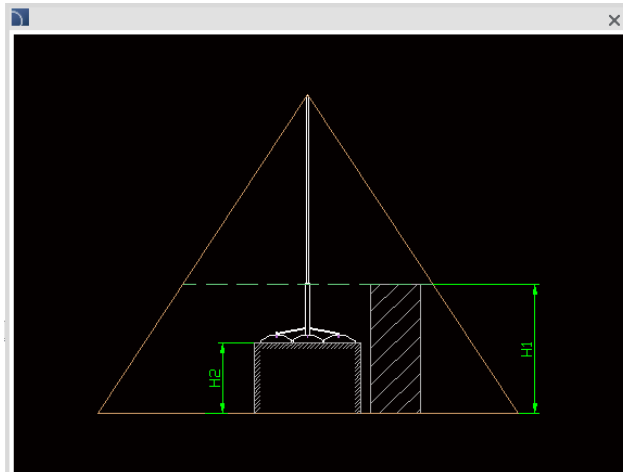




## ✓ ELKO-BIS – updated library for lighting protection design

New features in ELKO-BIS:

- Update of ELKO-BIS company products.
- A new products filtering creator that allows user to easily select the right product, starting from choosing the LPS protection class to the type of roofing and the lighting protection materials.
- Easier selection of accessories, handles etc.
- Parametric definition of object protection zone (protected by masts and needles).
- Dynamic creator of legends.





# CADprofi

✓ Update of manufacturers' libraries:





# CADprofi

## ✓ Adjustment to many base CAD programs

CADprofi 2017.17 has been adjusted to work with latest CAD programs, including: CADian 2017, GstarCAD 2017 SP1, AutoCAD 2018.

CADprofi 2017 currently works with many base CAD programs including: AutoCAD (since the 2000 version), BricsCAD, GstarCAD, IntelliCAD, progeCAD, ZWCAD, ARES Commander Edition and others.

The logo for AutoCAD, with the word "AutoCAD" in a bold, red, sans-serif font.

The logo for ZWCAD, with the word "ZWCAD" in a bold, blue, sans-serif font. The "W" has a green leaf-like shape above it.

The logo for GstarCAD, with "Gstar" in blue and "CAD" in yellow, followed by the tagline "An Alternative CAD System" in blue.

The logo for BricsCAD, featuring a stylized blue "B" shape above the word "BRICSCAD" in a bold, blue, sans-serif font.

The logo for progeSOFT, featuring a blue globe with a yellow vertical bar and a yellow triangle on top, above the word "progeSOFT" in a blue, sans-serif font.

The logo for IntelliCAD, featuring a purple diamond shape with a yellow vertical bar and a yellow triangle on top, above the word "IntelliCAD" in a bold, purple, sans-serif font.



**CADprofi**



**CADprofi**  
**2017.05/2017.07**



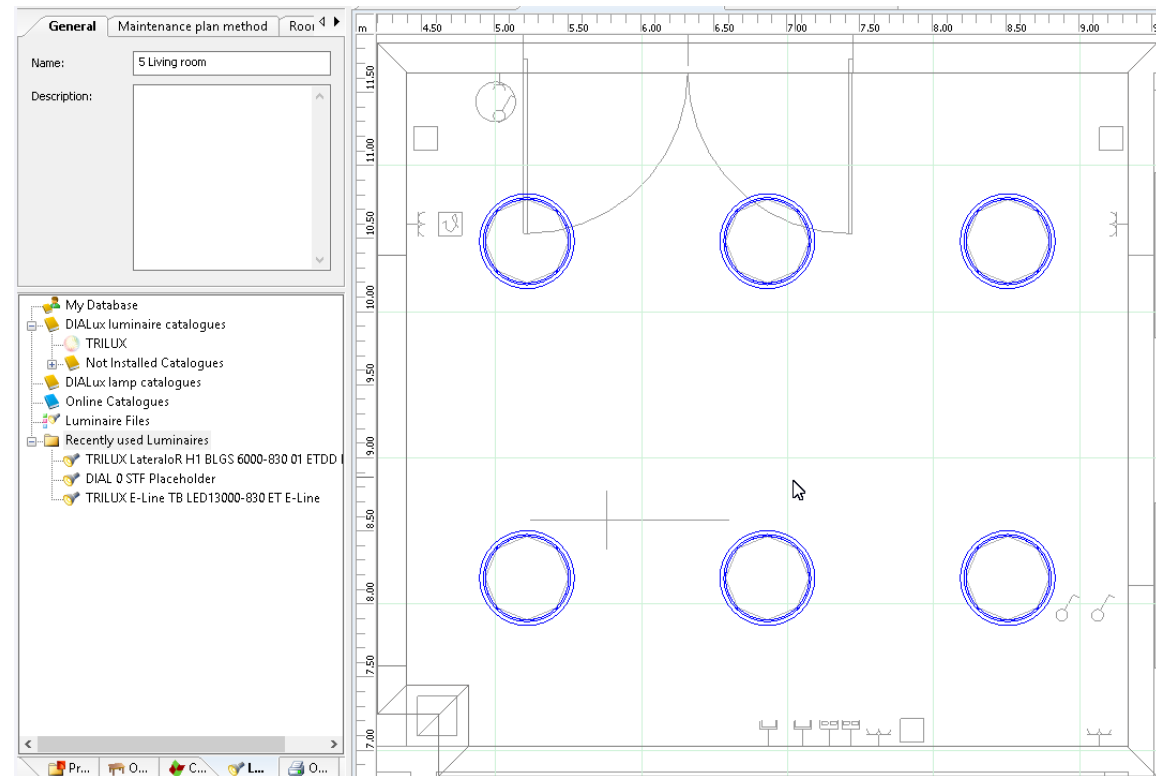
## ✓ CADprofi Electrical – cooperation with DIALux program

A possibility to export rooms do DIALux have been added to the program. Thanks to this we will receive a building outline and the project structure with room names imported from CADprofi.

Program also allows to import luminaires from DIALux. During import all luminaires will be replaced with standard CADprofi blocks and information about them (name, type) will be taken from DIALux and replaced with appropriate attributes.



[Watch how CADprofi works with DIALux](#)

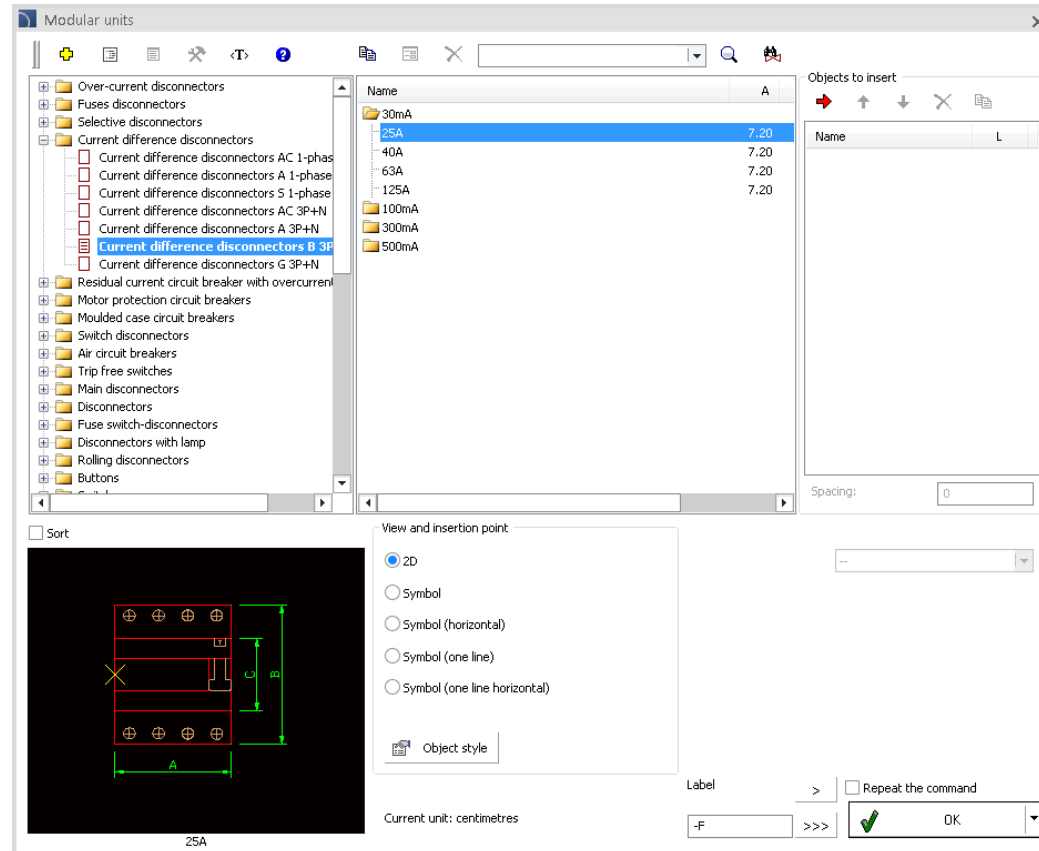




# CADprofi

## ✓ CADprofi Electrical – extension of the current difference disconnectors database

New current difference disconnectors (type AC, A, B) have been added to the program.

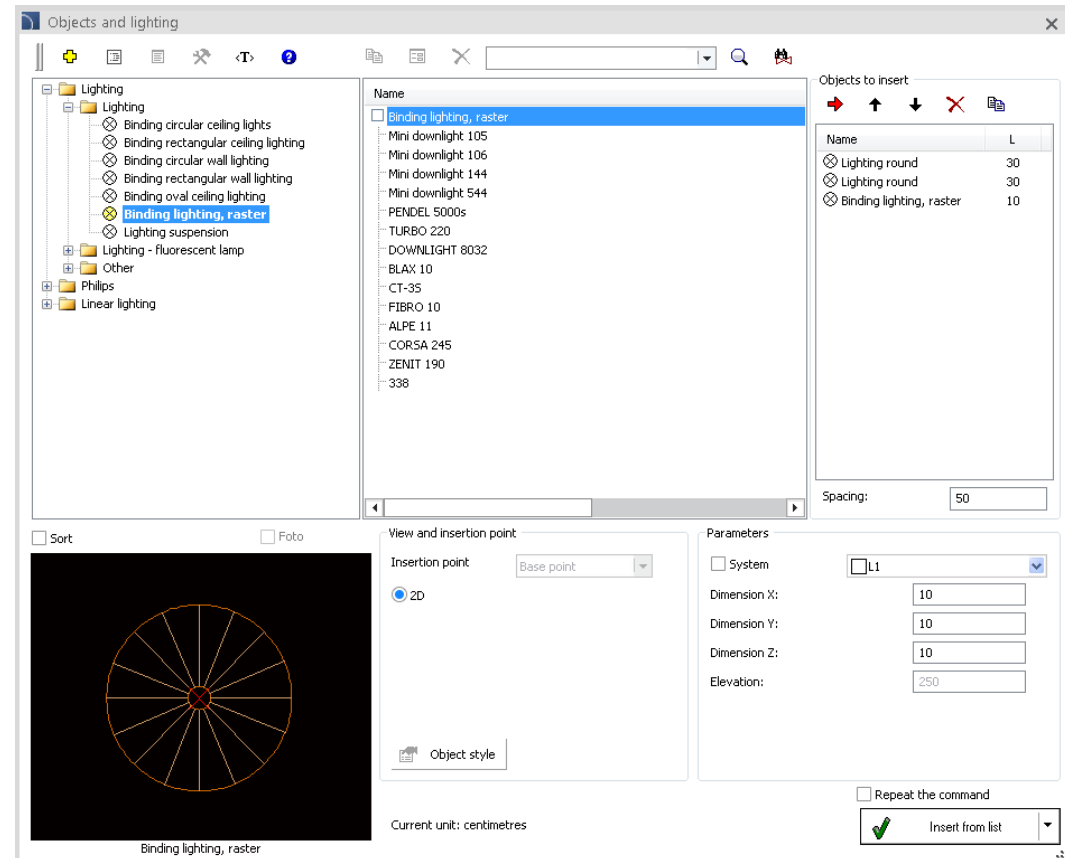


## ✓ CADprofi Electrical – changes in the *Objects and lighting* command



Functionality of the command has been extended by:

- Possibility to insert items from the list, thanks to which it is possible to insert to the drawing many elements with specified spacing.
- Possibility to repeat the command.



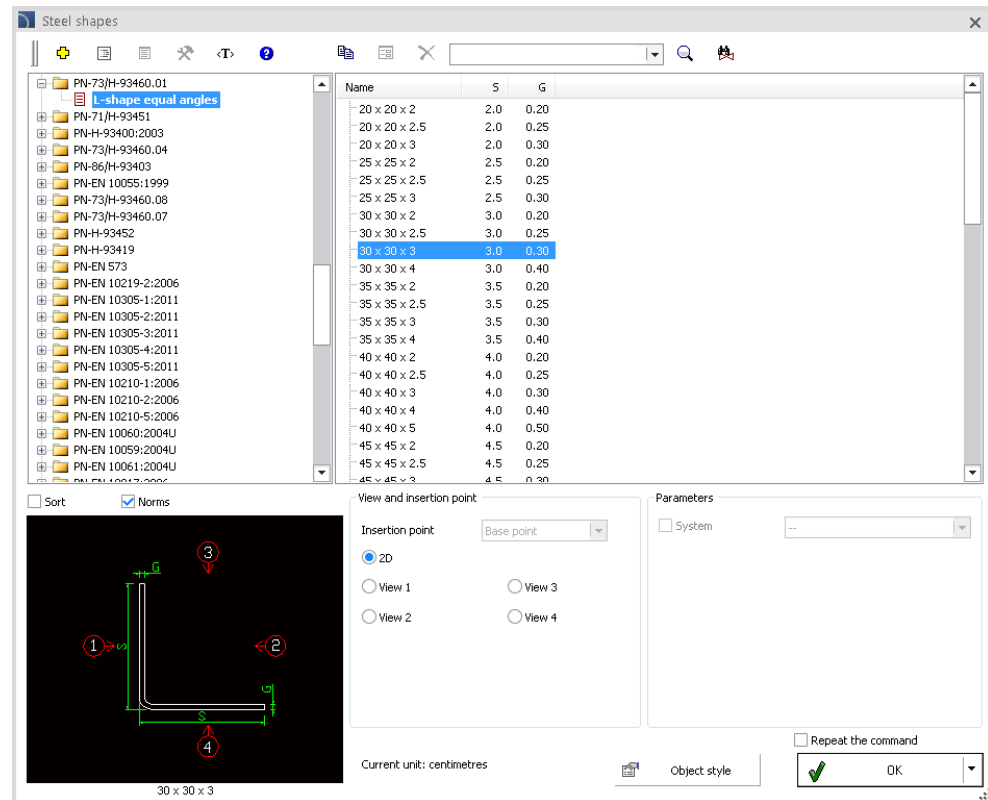


# CADprofi

## ✓ CADprofi Mechanical – additional standards

New standardized elements have been added to the program, including:

- PN-73/H-93460.01 (L-shape equal angles).





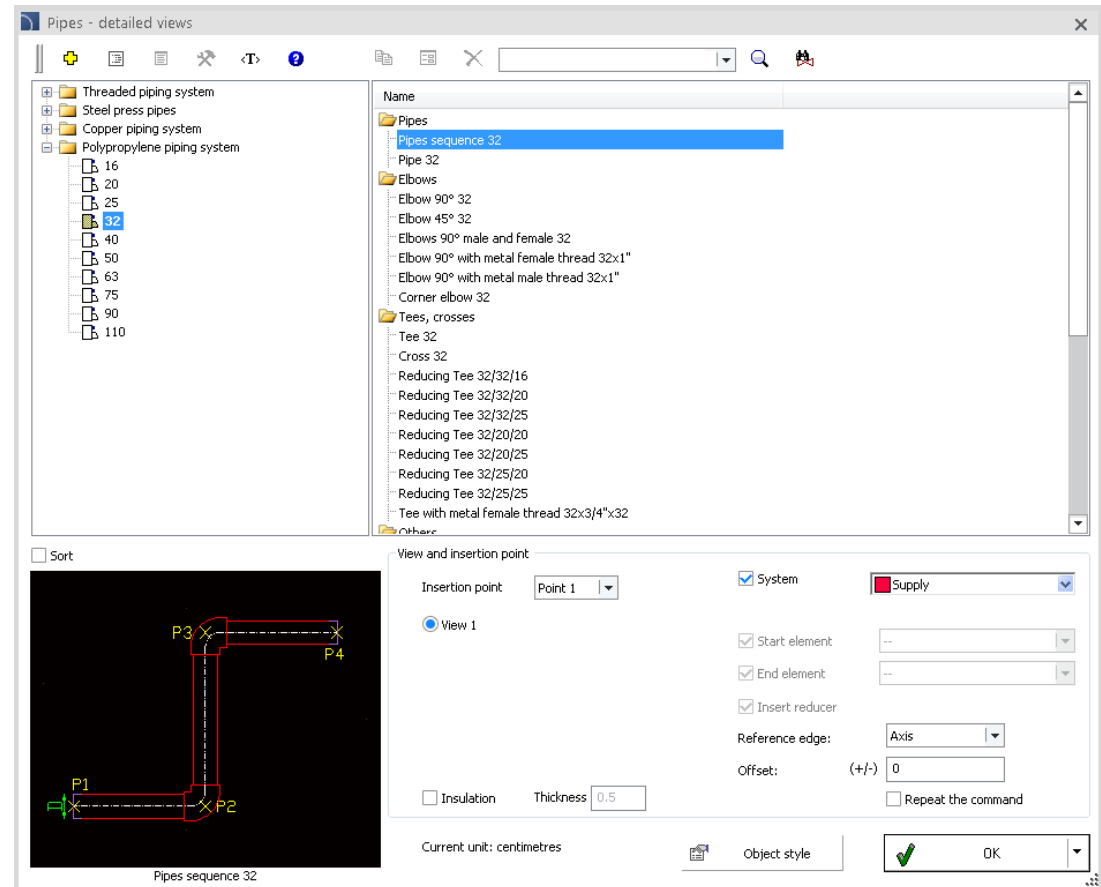


# CADprofi

## ✓ CADprofi HVAC & Piping – drawing insulation in detailed view

The possibility to draw fittings and pipes with insulation in detailed views have been added to the program.

Insulation      Thickness





# CADprofi

✓ Update of manufacturers' libraries:





**CADprofi**



# **CADprofi 2017**

Summary of main changes made to the program since the CADprofi 12.01 version.



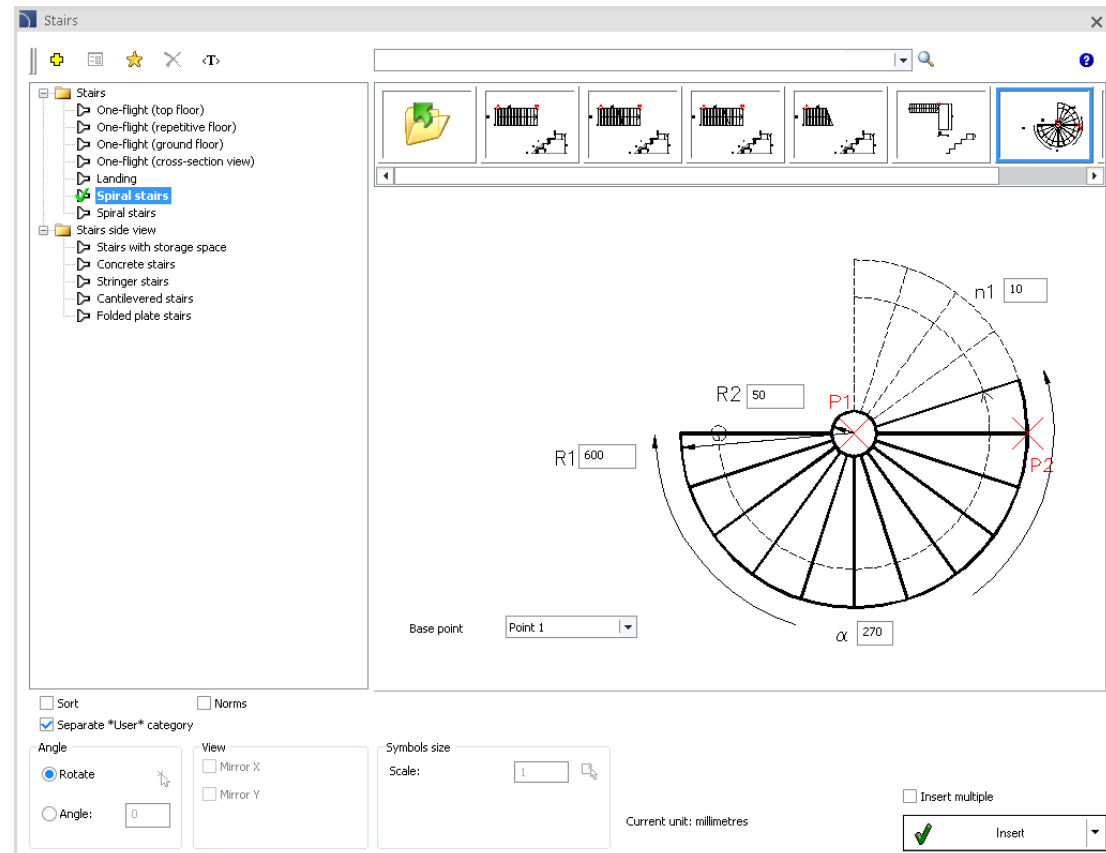
# CADprofi

## Table of contents:

- [CADprofi Architectural](#)
- [CADprofi Electrical](#)
- [CADprofi Mechanical](#)
- [CADprofi HVAC & Piping](#)
- [General commands \(affects all modules\)](#)
- [Manufacturers libraries](#)
- [Adjustment to CAD programs](#)

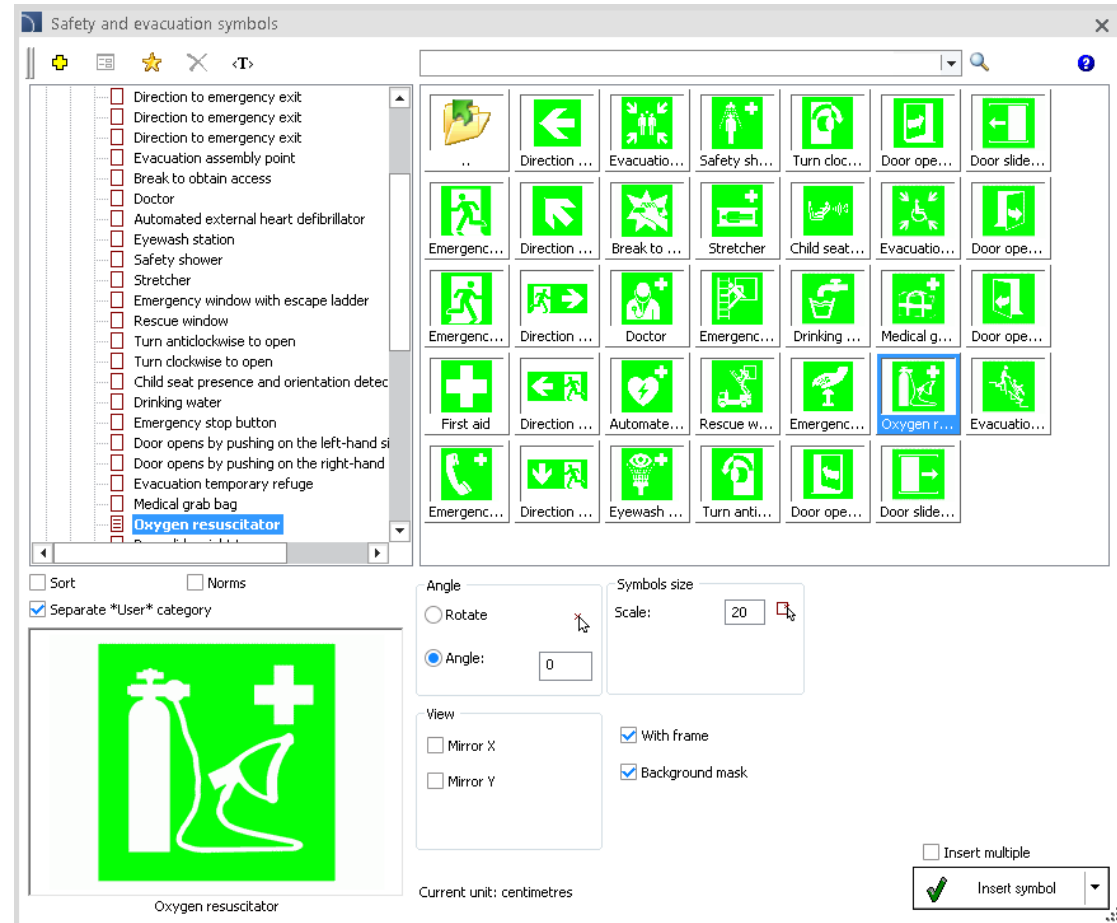
## ✓ CADprofi Architectural – extension of the stairs library

New spiral stairs and various side views have been added to the library.



## ✓ CADprofi Architectural – extensions of the library of health and safety symbols

New health and safety symbols prepared in accordance to the ISO 7010 standard, as well as, symbols indicating type of hazard danger (GHS) have been introduced to the library.

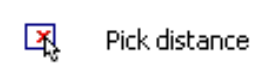




# CADprofi

## ✓ CADprofi Architectural – picking up the wall thickness from the drawing

An ability to take the dimensions of the wall thickness directly from the drawing has been added to the program.



The screenshot shows the 'Walls' dialog box with the following components:

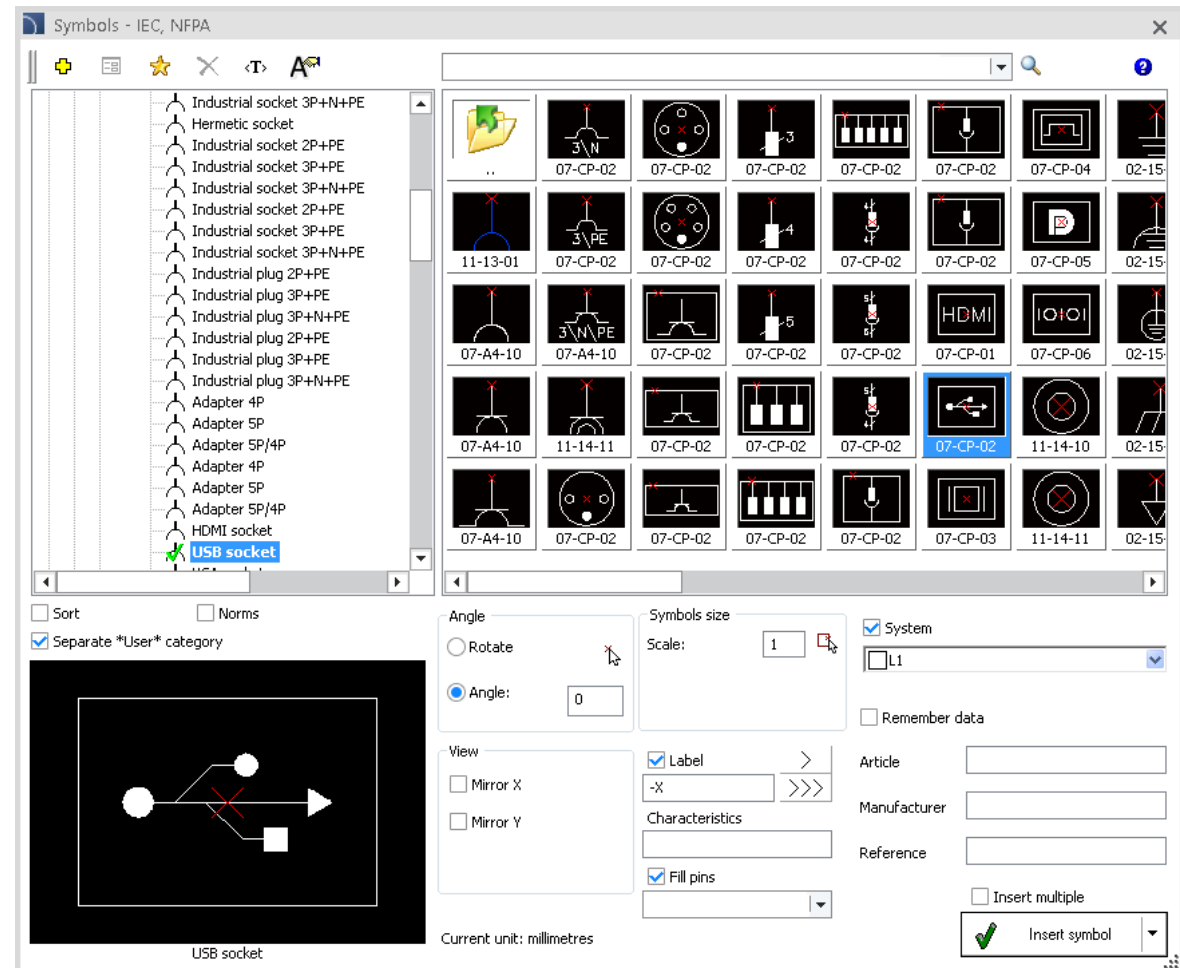
- Tree View:** A hierarchical list of wall categories. Under 'Walls by material', 'Examples' is expanded to show 'Concrete', 'Bricks', 'Clinker' (highlighted), 'Air-brick', 'Expanded polystyrene', and 'Mineral wool'. Other categories include 'Walls by purpose' and 'Structural walls'.
- Wall layers parameters table:** A table with two columns: 'Name' and 'Thickness'.

Name	Thickness
Concrete	24
Bricks	12
Clinker	12
- Edge of drawing and offset:** Radio buttons for 'left', 'center' (selected), and 'right'. A small diagram shows a red line centered on a black bar. Below is an 'Offset:' input field with the value '0'.
- Options:** 'Sort' (unchecked) and 'Separate \*User\* category' (checked).
- Unit:** 'Current unit: centimetres'.
- Buttons:** 'OK' at the bottom right.

## ✓ CADprofi Electrical – extension of the library of IEC symbols

IEC symbols library have been extended with new electrical symbols, e.g.:

- Industrial plugs.
- Industrial sockets.
- Adapters.
- HDMI sockets.
- USB sockets.

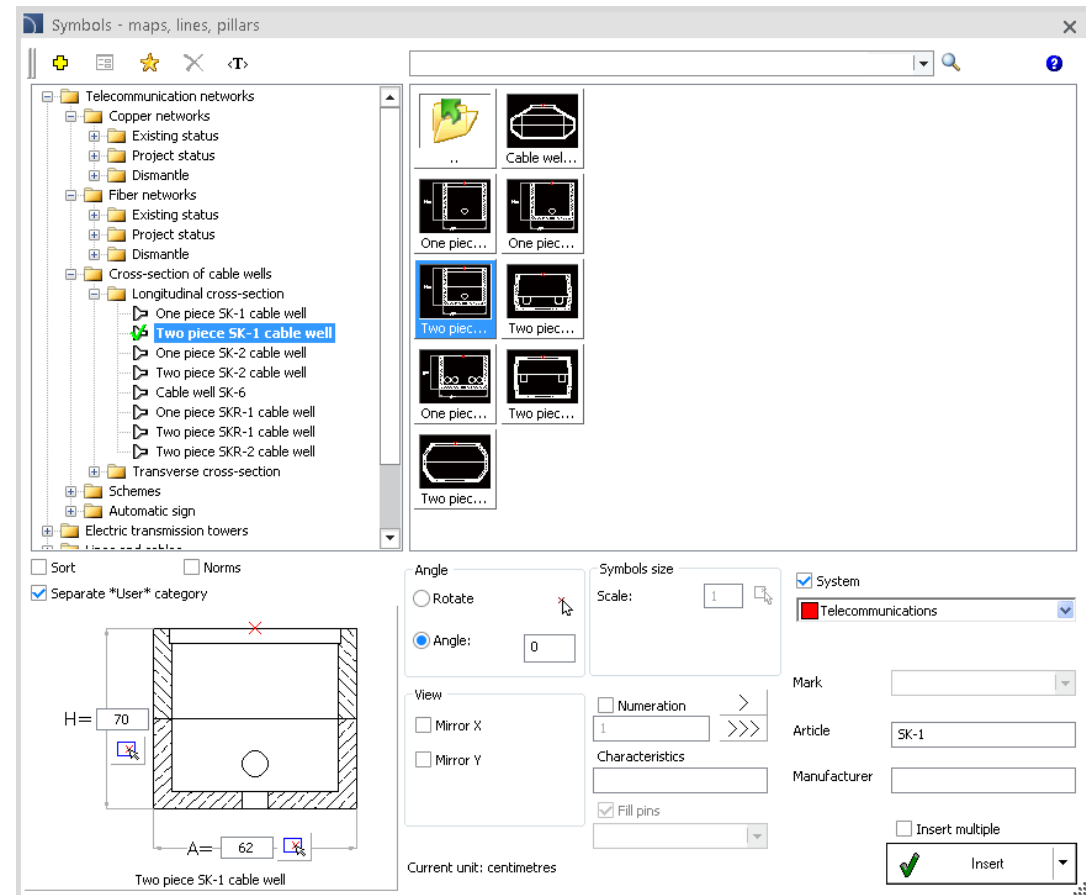
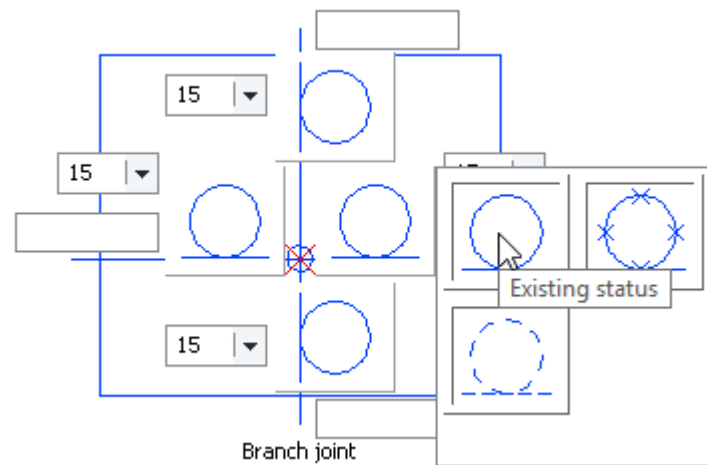




## ✓ CADprofi Electrical – extension of the telecommunication network libraries

New telecommunication network symbols such as: SKR-1 and SKR-2 cable wells and branch joints have been added to the library.

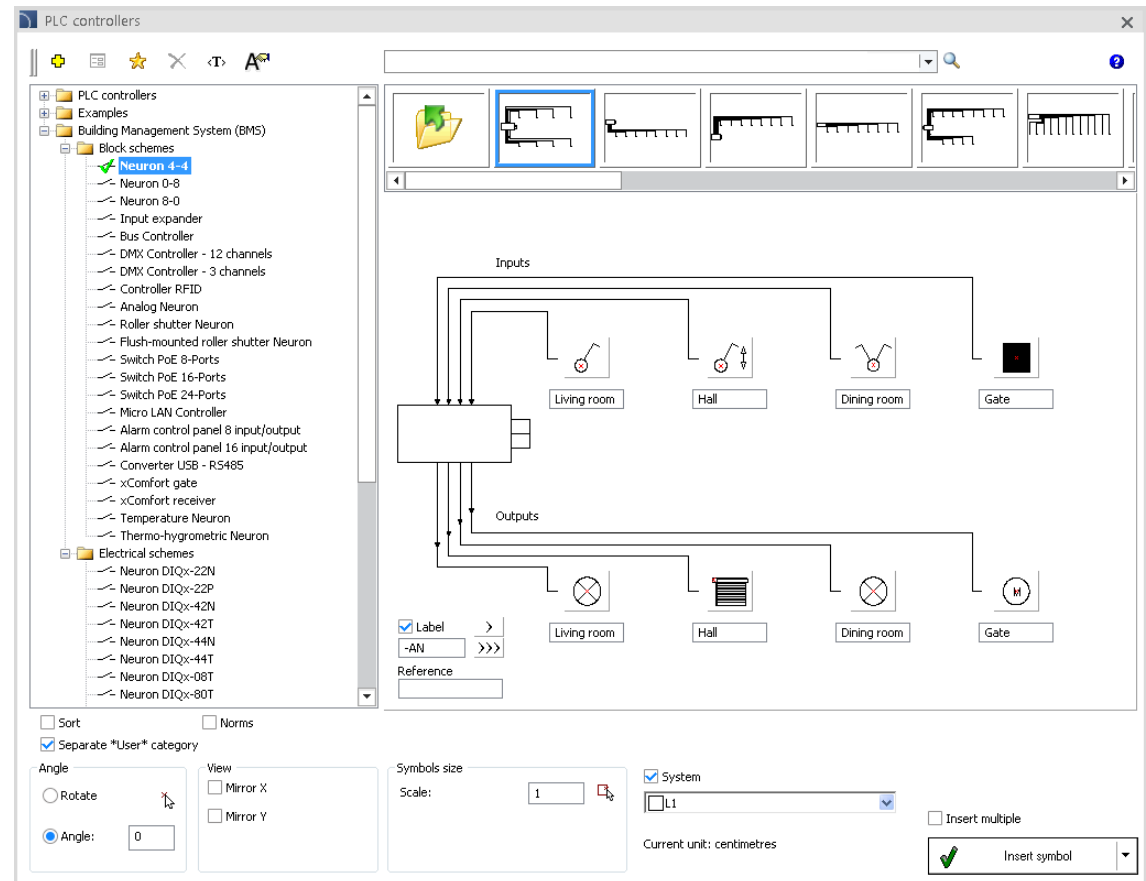
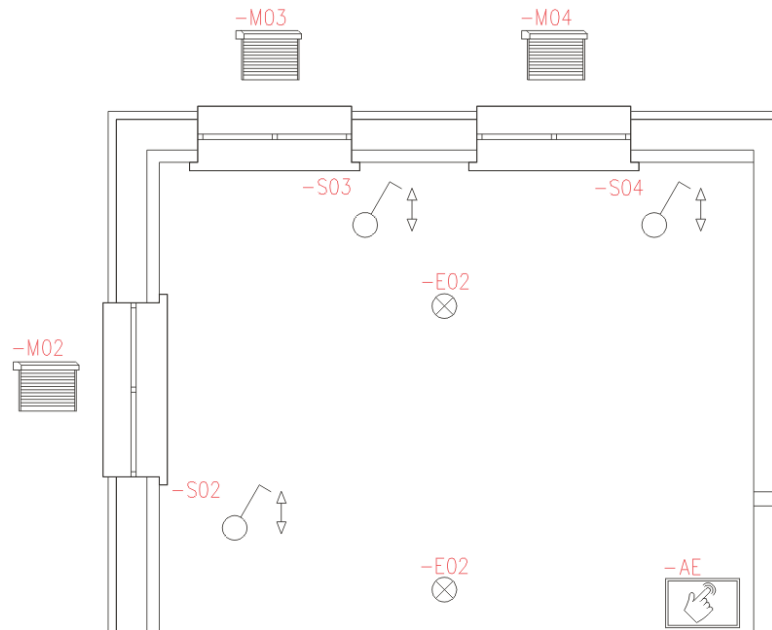
Longitudinal and transverse cable wells cross-sections have been added to the program.



## ✓ CADprofi Electrical – building management system (BMS)

BMS is an integrated system that allows for monitoring and management of all systems and devices in the building and its surroundings.

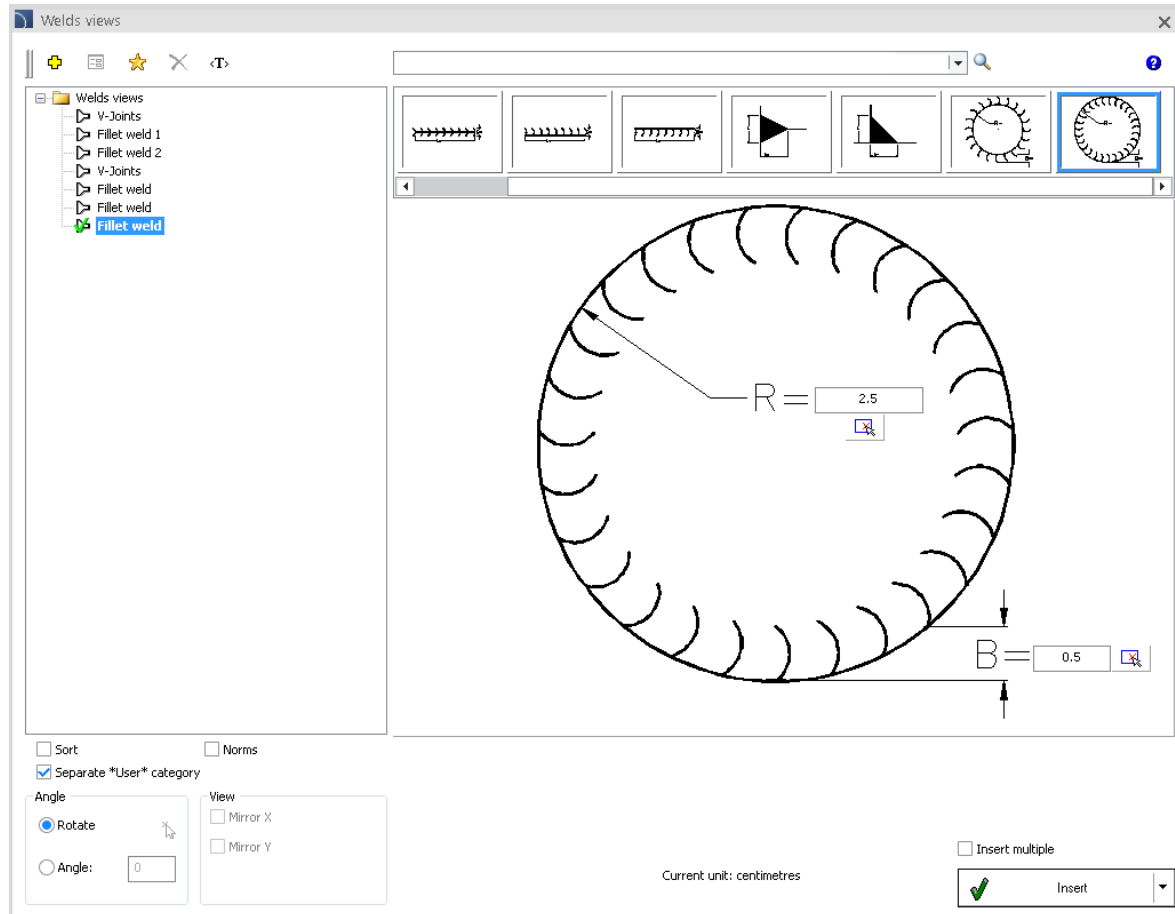
In the program user can find block schemes, electrical schemes and symbols of Electrical devices that are used in the design of smart building e.g. controllers, alarm control panels, neurons, converters, input expander, USB and HDMI outputs, PoE switch, modems, routers, cameras, receivers etc.



## ✓ CADprofi Mechanical – additional fillet welds views

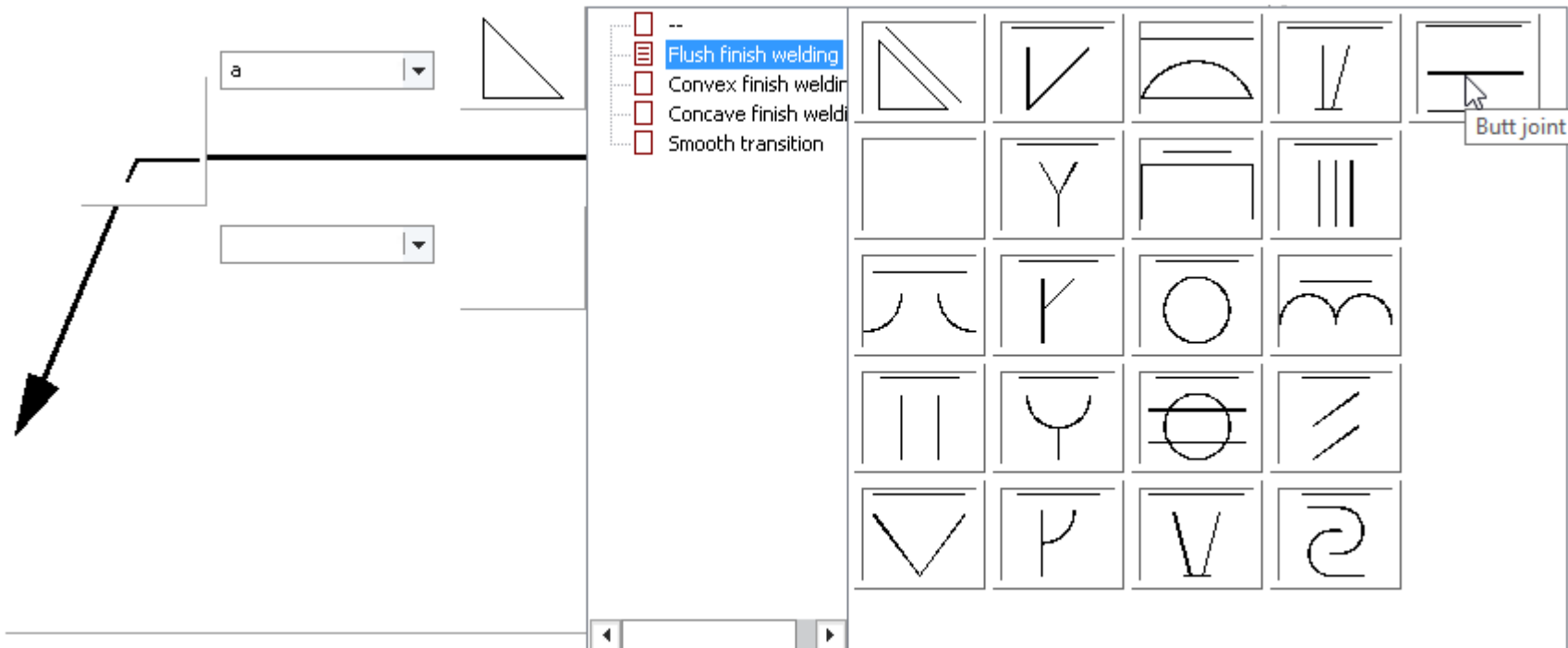
On request of the users, new fillet welds views have been added to the library.

For each item, user can specify his own dimensions.



## ✓ CADprofi Mechanical – new connection type

New type of connection (butt joint) have been added to the *Joint symbols* command.

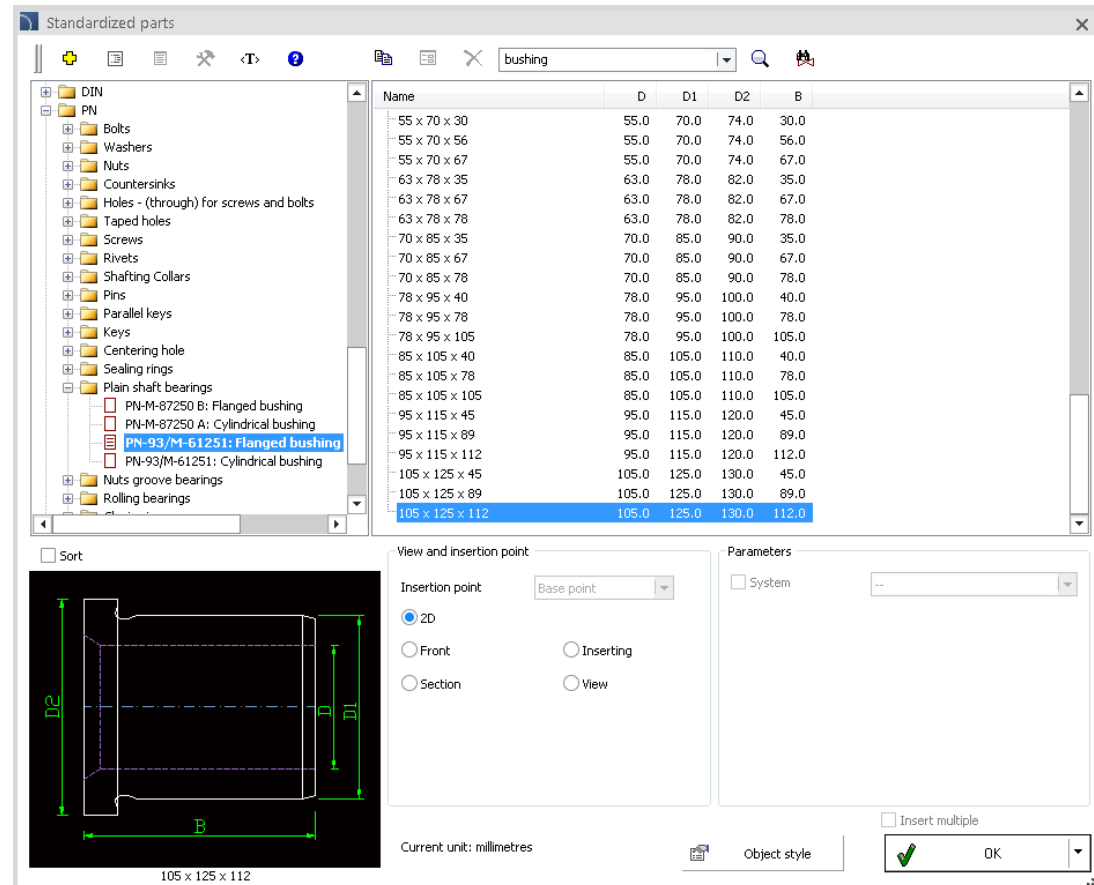


## ✓ CADprofi Mechanical – additional PN, ISO, ANSI and GOST standards

New standardized elements have been added to the program, including:

- Cylindrical and standard bushings.
- Round, square and rectangular structural tubings.
- Square steel bars.
- Steel and aluminium I-beams.
- Steel U-shapes.
- Aluminum T-shape.
- L-shapes with equal and unequal angles.
- Aluminum Z-shape.
- Electrically welded steel tubes, water supply, seamless and cold deformed.
- Seamless hot and cold deformed steel pipes.
- Seamless hydraulic tubes.
- Stainless steel welded pipes.
- Flat, loose plate, neck, blind, hubbed socket and hubbed slip-on flanges.
- Hexagon socket button head screws.

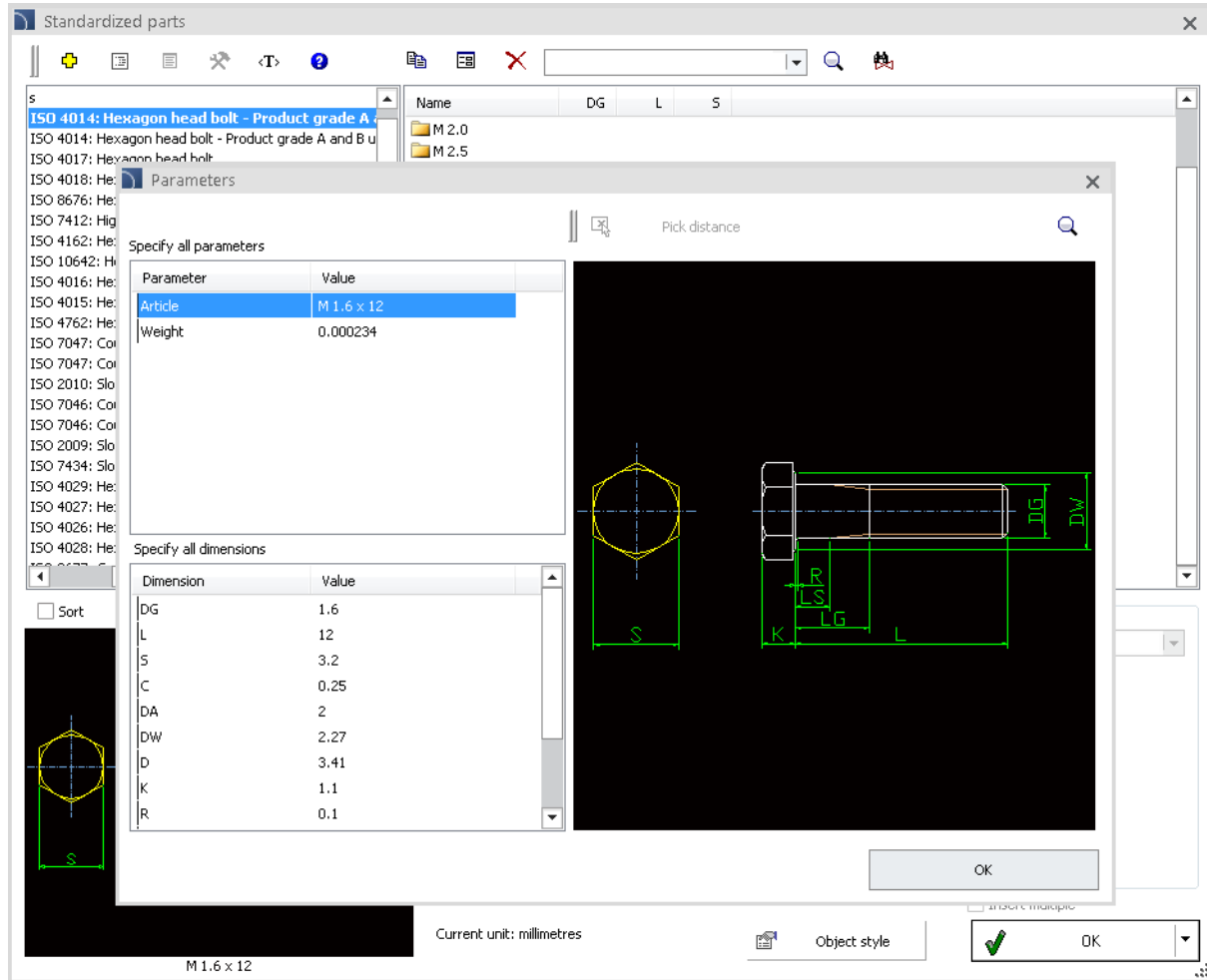
In the dialog window the possibility to sort items in accordance to standards have been added.



## ✓ CADprofi Mechanical - possibility to expand the object database with user products

Program contains many object databases with specified parameters. Currently user can use standard type of series, as well as expand the database with his own type of series, which can be freely edited and saved in the database.

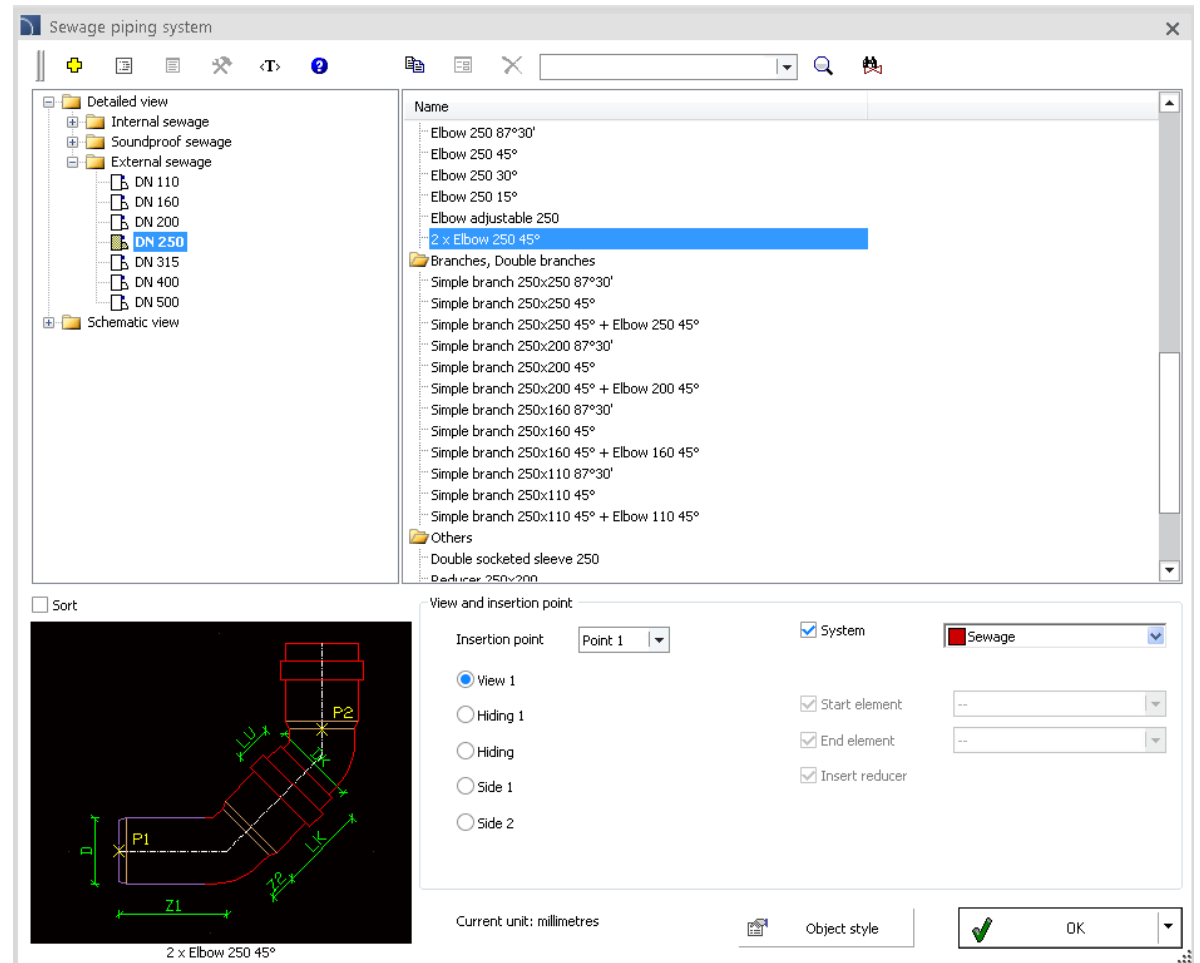
It is possible to specify any dimensions and technical parameters for all user elements that have been added to the program.





## ✓ CADprofi HVAC & Piping – double 45° elbows

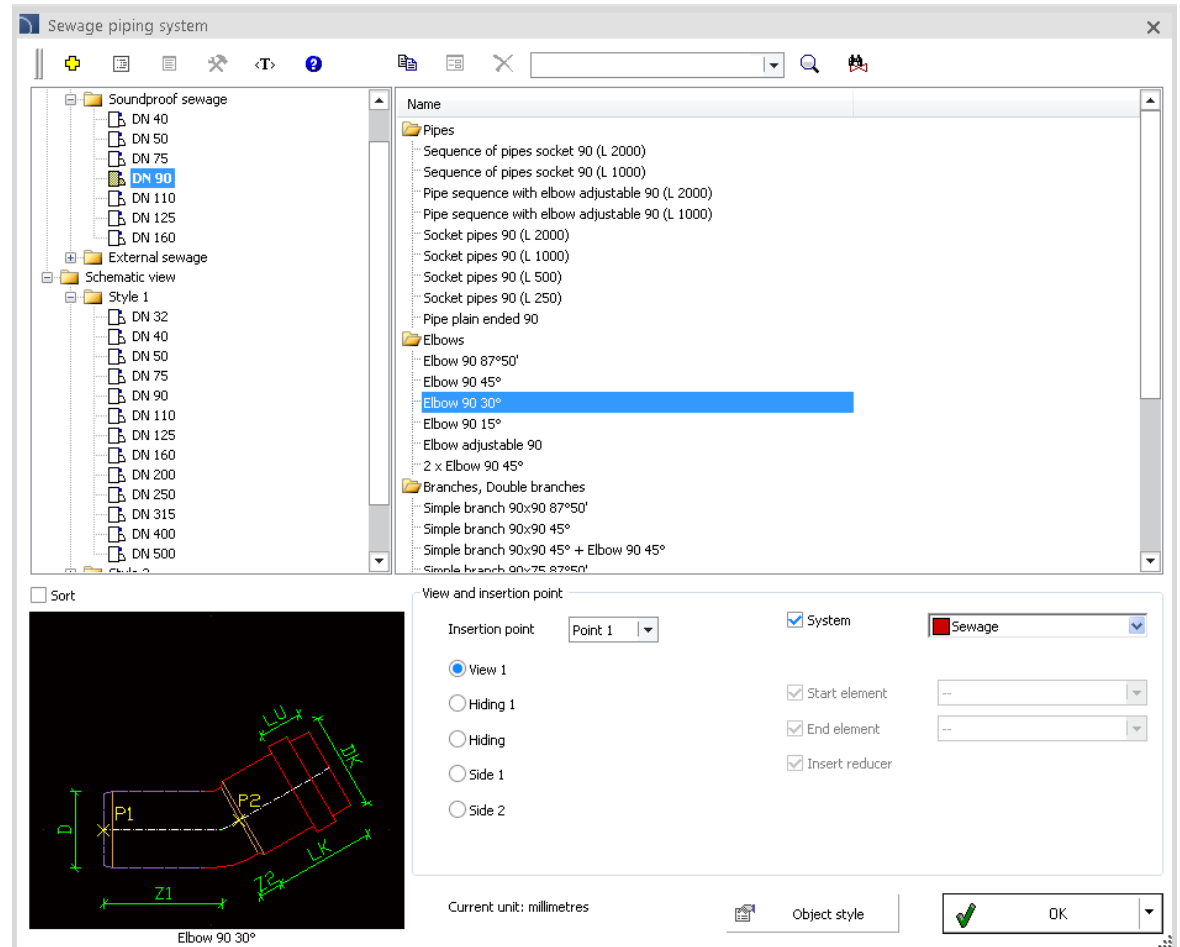
*Sewage piping system* command have been extended with double 45° elbows and tees with 45° elbows. These elements allow to automatically join pipes.





## ✓ CADprofi HVAC & Piping – extension of the soundproof sewage installations

*Sewage piping system* command have been extended with new pipes and fittings with DN90 diameter in soundproof sewage installations in detailed view and in schematic view.

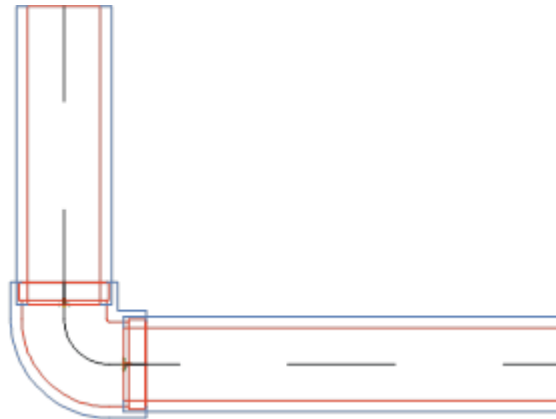
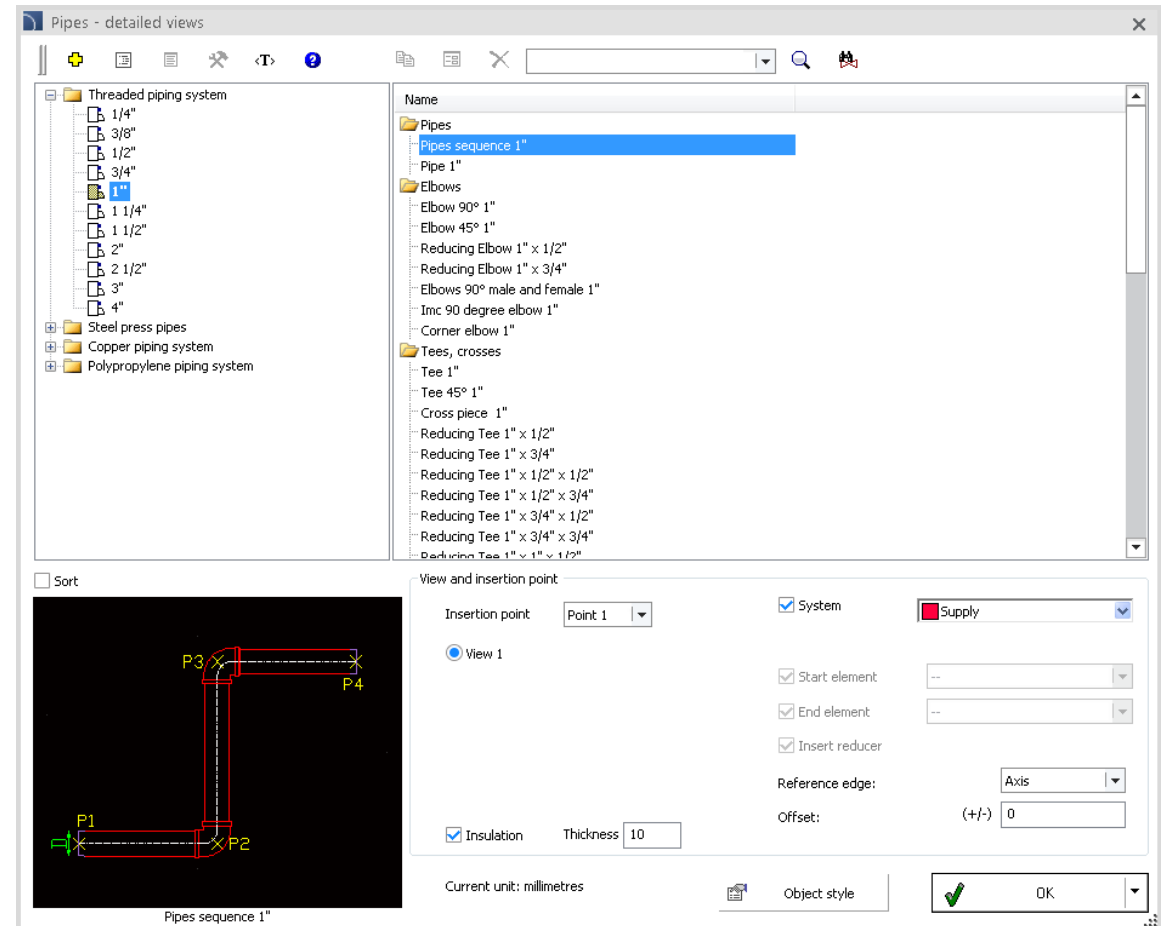




## ✓ CADprofi HVAC & Piping – drawing insulation in detailed view

The possibility to draw fittings and pipes with insulation in detailed views have been added to the program.

Insulation      Thickness

**Pipes - detailed views**

**Tree View:**

- Threaded piping system
  - 1/4"
  - 3/8"
  - 1/2"
  - 3/4"
  - 1"**
  - 1 1/4"
  - 1 1/2"
  - 2"
  - 2 1/2"
  - 3"
  - 4"
- Steel press pipes
- Copper piping system
- Polypropylene piping system

**Name List:**

- Pipes
- Pipes sequence 1"
- Pipe 1"
- Elbows
  - Elbow 90° 1"
  - Elbow 45° 1"
  - Reducing Elbow 1" x 1/2"
  - Reducing Elbow 1" x 3/4"
  - Elbows 90° male and female 1"
  - Inc 90 degree elbow 1"
  - Corner elbow 1"
- Tees, crosses
  - Tee 1"
  - Tee 45° 1"
  - Cross piece 1"
  - Reducing Tee 1" x 1/2"
  - Reducing Tee 1" x 3/4"
  - Reducing Tee 1" x 1/2" x 1/2"
  - Reducing Tee 1" x 1/2" x 3/4"
  - Reducing Tee 1" x 3/4" x 1/2"
  - Reducing Tee 1" x 3/4" x 3/4"
  - Reducing Tee 1" x 1" x 1/2"

**View and insertion point:**

Insertion point: Point 1

View 1

System      Supply

Start element

End element

Insert reducer

Reference edge: Axis

Offset: (+/-) 0

Insulation      Thickness 10

Current unit: millimetres

Object style      OK

Pipes sequence 1"

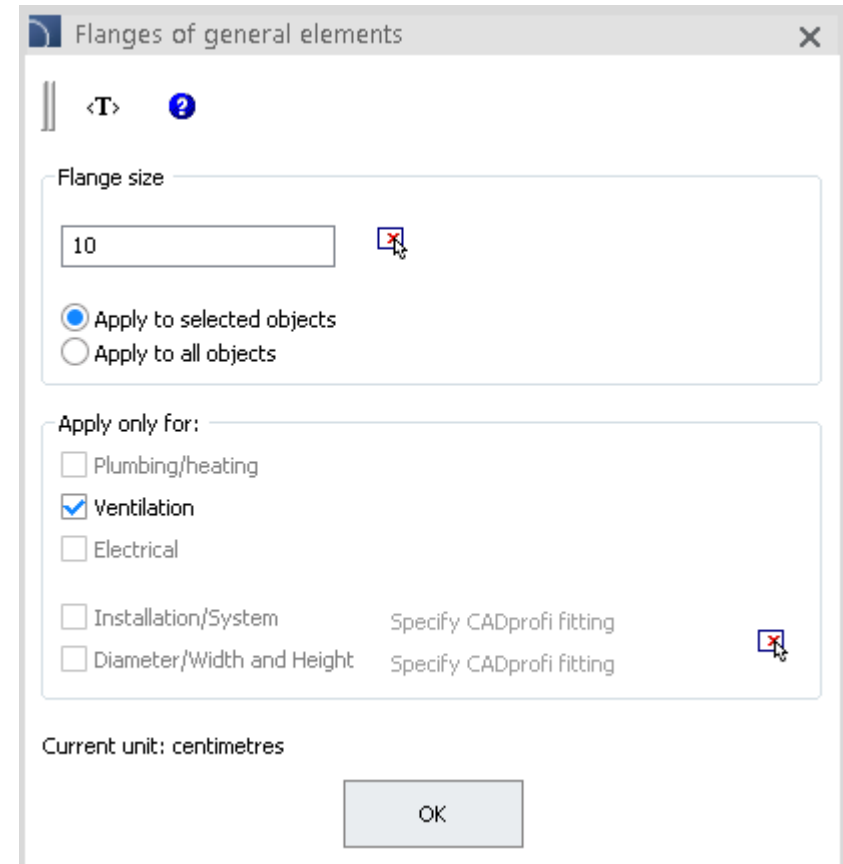
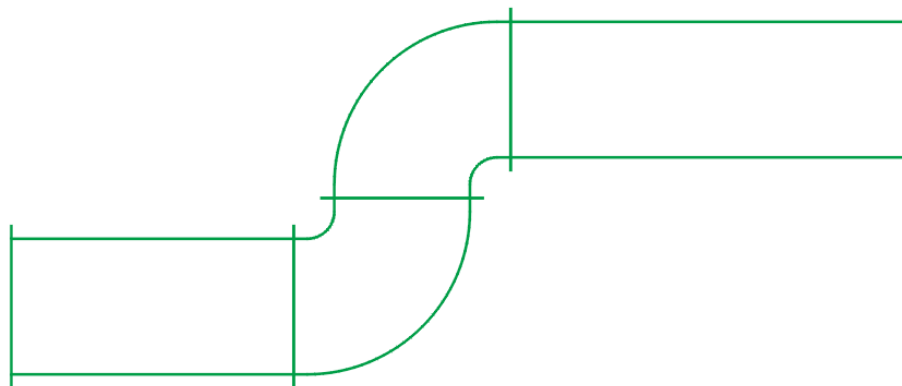
## ✓ CADprofi HVAC & Piping – new command: *Flanges of general elements*



This command allows to add flanges for ducts and ventilation fittings with a rectangular cross-section.

Filters make it easier to quickly add flanges for example to selected type of installation or for specified type of ducts in the drawing.

Installation can be immediately drawn with flanges. To do this, user must specify the flanges size in the *Ducts – general views* or *Ducts sequences – general views* command dialog window.



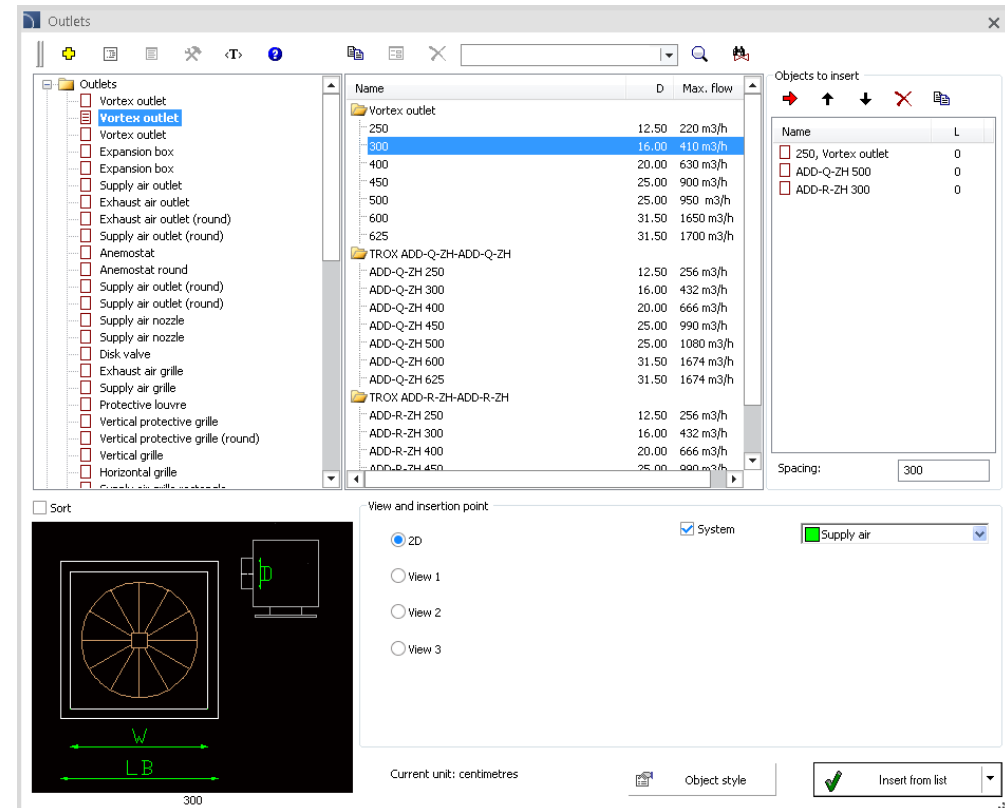
## ✓ CADprofi HVAC & Piping – changes in the *Outlets* command



Functionality of the command has been extended by:

- Possibility to insert items from the list, thanks to which it is possible to insert to the drawing many elements with specified spacing.
- Possibility to automatically connect outlets with ventilation ducts.
- Possibility to define user's type of series, which can be freely edited and saved in the database.

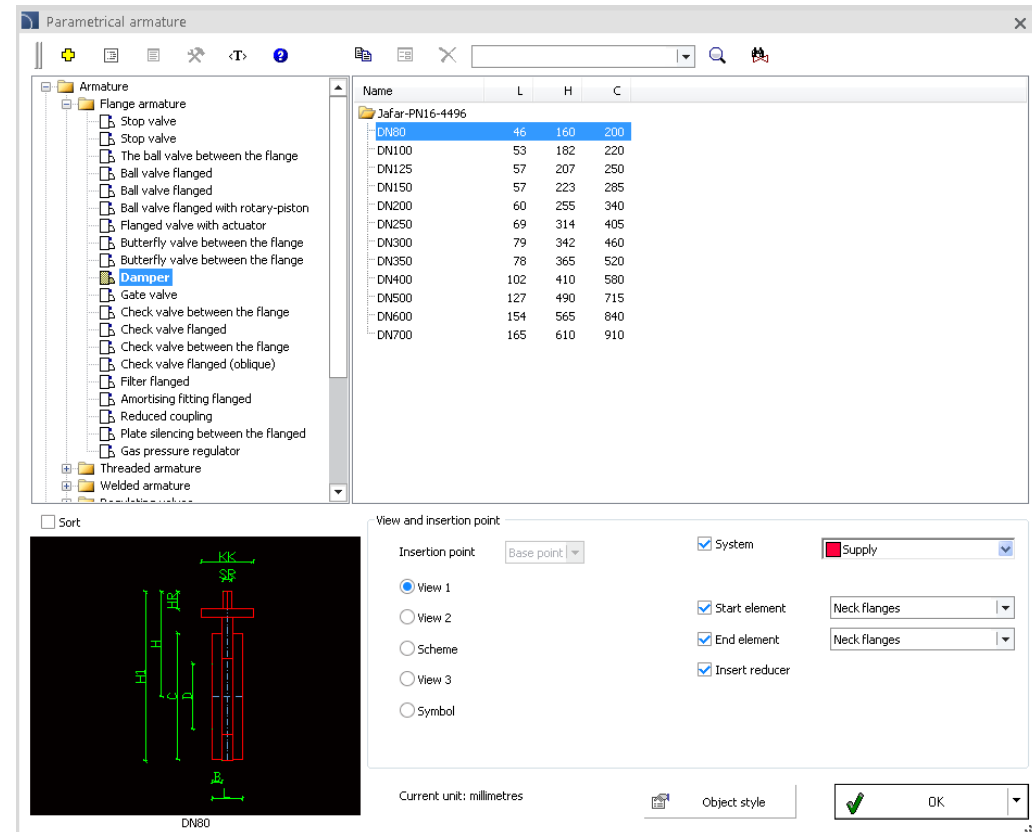
In addition, the TROX and Alnor company products have been added to the command database.



## ✓ CADprofi HVAC & Piping – extension of the armature library

To the library that contains armature views and other devices additional products have been introduced:

- dampers,
- JAFAR company products (e.g. ball valves, non-return dampers and gate valves),
- ZETKAMA company products (e.g. filters).

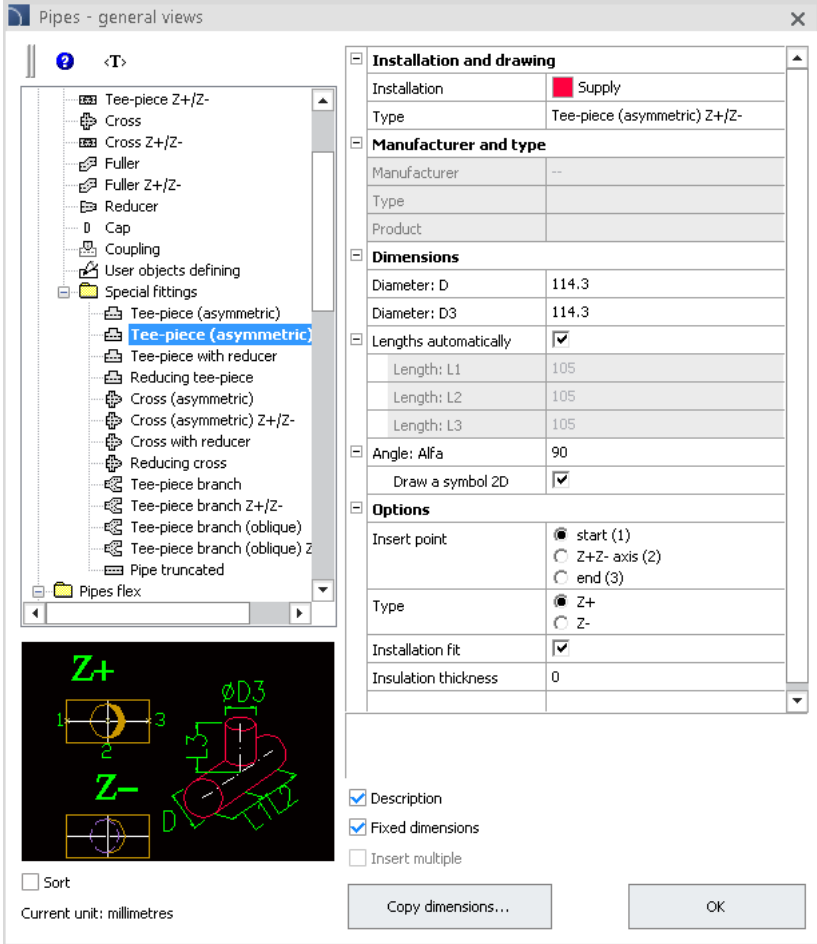


## ✓ CADprofi HVAC & Piping – additional fittings

Asymmetric tee-piece and asymmetric cross in Z+/Z- views have been added to the *Pipes – general views* command.

New fittings for steel pipes prepared in accordance with the EN 10255 standard have been added to the program.

Manufacturer	--
Type	--
Product	Steel pipes - row 1 Steel pipes - row 2
Dimensions	Steel pipes - inches - ASTM Steel pipes - metric
Diameter: D	Steel pipes - DIN 11 850 Steel pipes - EN 10255
Options	UserData



**Pipes - general views**

<T>

- Tee-piece Z+/Z-
- Cross
- Cross Z+/Z-
- Fuller
- Fuller Z+/Z-
- Reducer
- Cap
- Coupling
- User objects defining
- Special fittings
  - Tee-piece (asymmetric)
  - Tee-piece (asymmetric)**
  - Tee-piece with reducer
  - Reducing tee-piece
  - Cross (asymmetric)
  - Cross (asymmetric) Z+/Z-
  - Cross with reducer
  - Reducing cross
  - Tee-piece branch
  - Tee-piece branch Z+/Z-
  - Tee-piece branch (oblique)
  - Tee-piece branch (oblique) Z
  - Pipe truncated
- Pipes flex

**Installation and drawing**

Installation	Supply
Type	Tee-piece (asymmetric) Z+/Z-

**Manufacturer and type**

Manufacturer	--
Type	
Product	

**Dimensions**

Diameter: D	114.3
Diameter: D3	114.3

**Lengths automatically**

Length: L1	105
Length: L2	105
Length: L3	105

**Angle: Alfa** 90

**Draw a symbol 2D**

**Options**

**Insert point**

- start (1)
- Z+Z- axis (2)
- end (3)

**Type**

- Z+
- Z-

**Installation fit**

**Insulation thickness** 0

Description

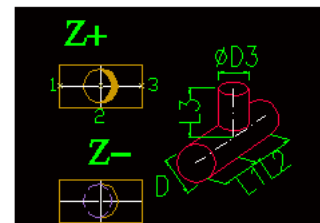
Fixed dimensions

Insert multiple

Sort

Current unit: millimetres

Copy dimensions... OK

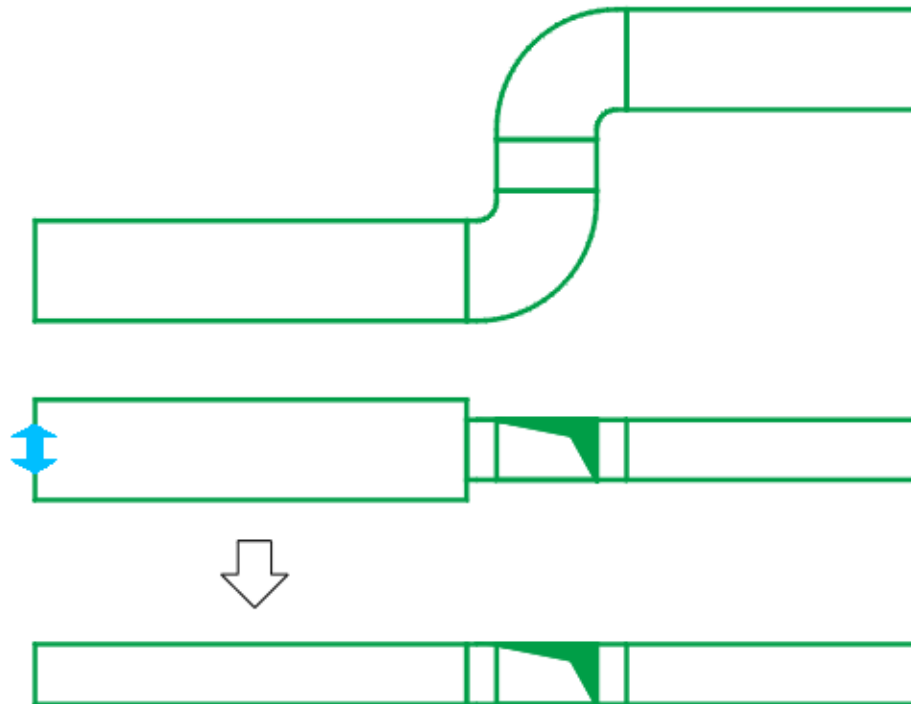


## ✓ CADprofi HVAC & Piping – quick edition of fittings





The possibility to change the view of general fittings with the *Quick edit* function has been added to the program.

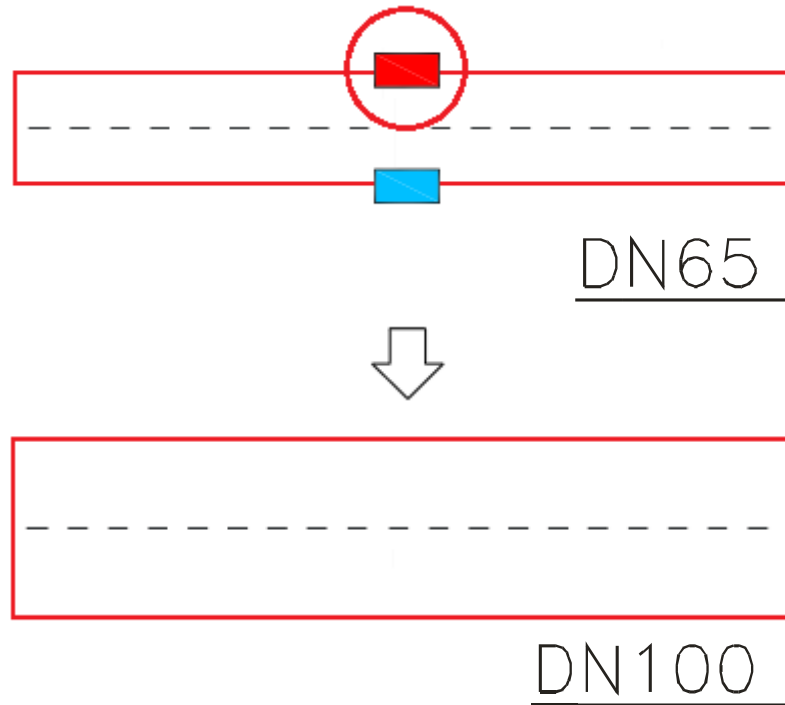
This command allows to quickly change the direction of conducting the installation or obtaining the cross-sections of individual elements on the basis of previously drawn plan.



## ✓ Quick edit: changing pipe size





The *Quick edit* command has been extended by the possibility to change the pipe width or diameter.  .

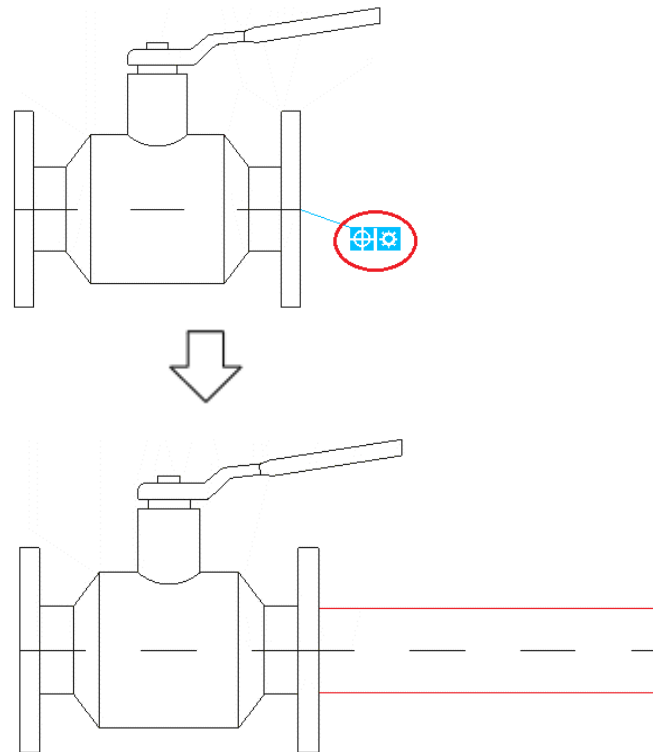


## ✓ Quick edit: drawing strings of lines/pipes from fittings, armature and boilers



The *Quick edit* command has been extended by the possibility to draw strings of lines/pipes directly from the selected object (e.g. armature). The diameter of the line/pipe can be automatically adjusted on the basis of selected object .

Second marker  displays a dialog window, in which it is possible to define all parameters: installation type, insulation thickness and line/pipe diameter.





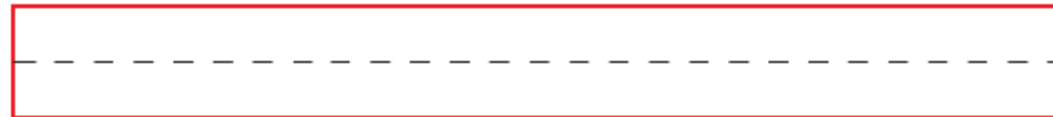
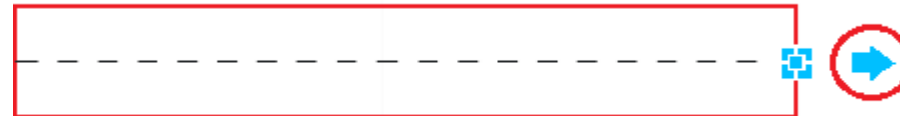




## ✓ Quick edit: lengthening and stretching of lines/pipes and steel profiles



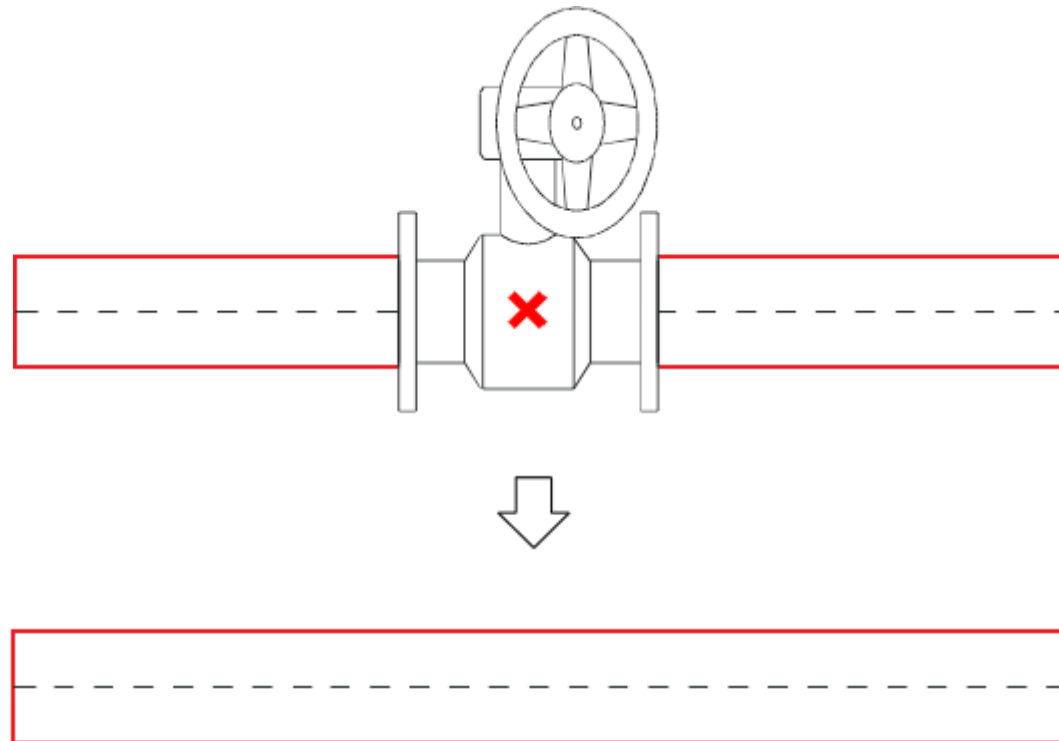
The *Quick edit* command has been extended by the possibility to directly change the length  and position  of lines/pipes and steel profiles.



## ✓ Quick edit: deleting symbols and armature




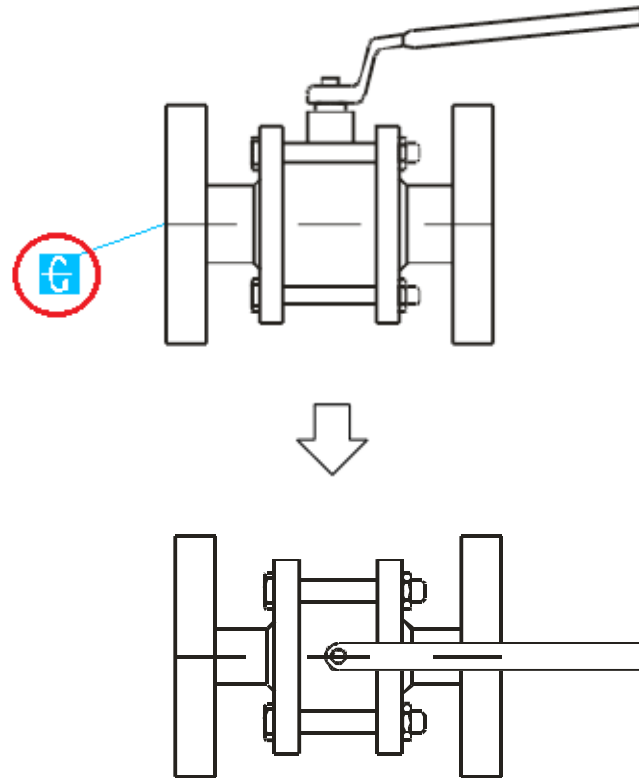
The *Quick edit* command has been extended by the possibility to delete symbols and armature from the drawing **✗**. In case of removing objects that are inserted in lines/pipes, program will automatically connect these lines/pipes.



## ✓ Quick edit: rotating selected objects around the object X-axis




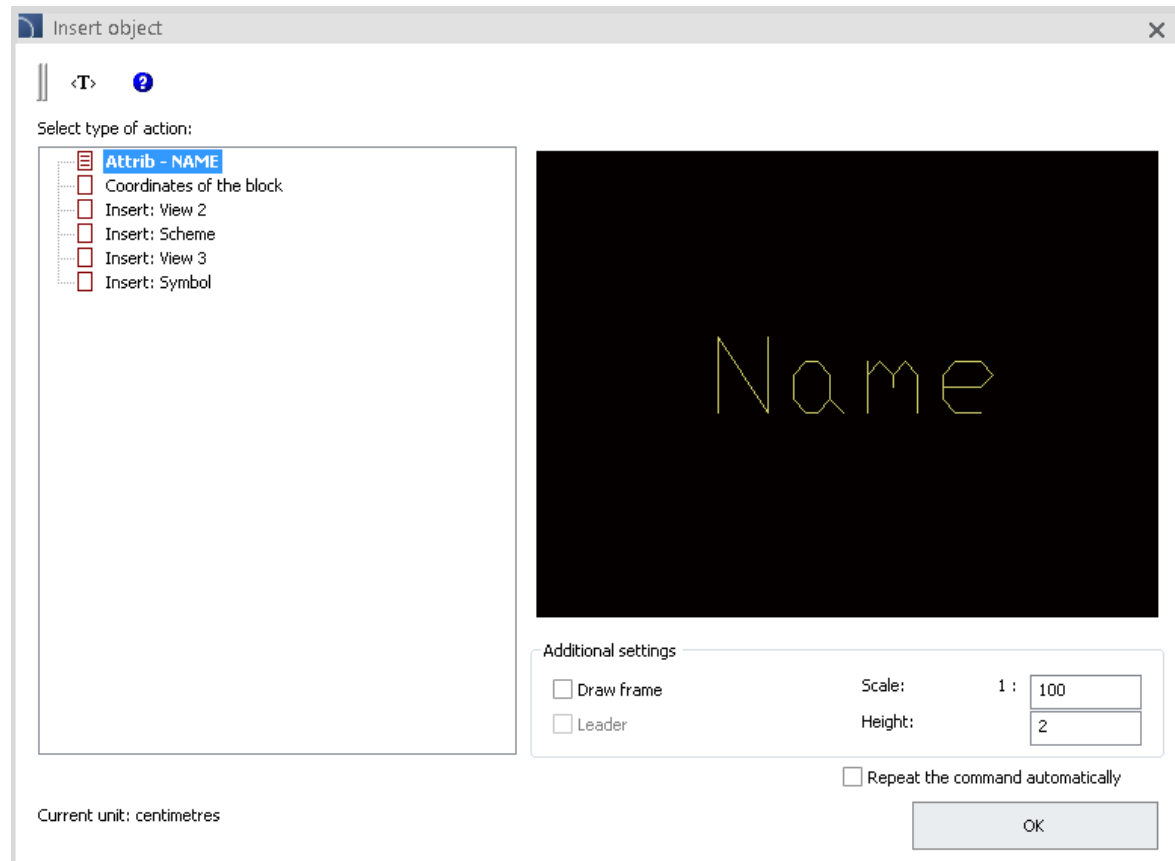
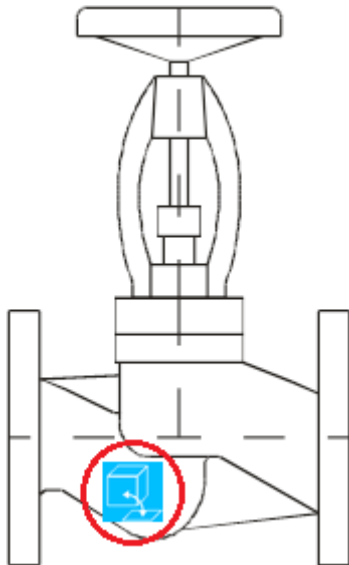
The *Quick edit* command has been extended by the possibility to rotate selected object around the X-axis , thanks to which user can quickly select the desired view.



## ✓ Quick edit: generating views with the dialog window



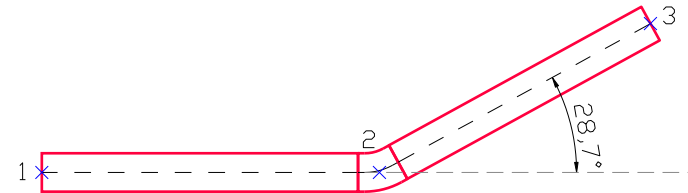
The *Quick edit* command has been extended with the  marker, thanks to which user can quickly open the *Create alternative view* command for the selected object.



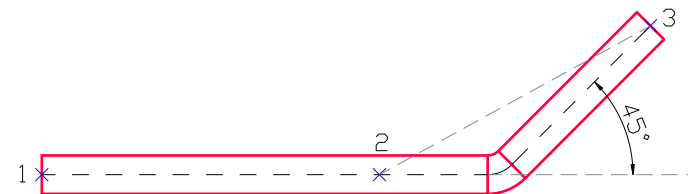
## ✓ Drawings strings in general view with usage of database elements

In the new program version when user draws pipelines, ventilation or electrical trays it is possible to insert any elbows (with any angles) or elbows selected from standards or manufacturer catalogues. When drawing using standardized parts program automatically adjusts the length of the line to fit the geometry to the elbow at a certain angle (e.g. 45° or 90°).

Drawing standardized elbows is available when drawing installations from certain standards or manufacturers.



Pipeline with elbows of any angle



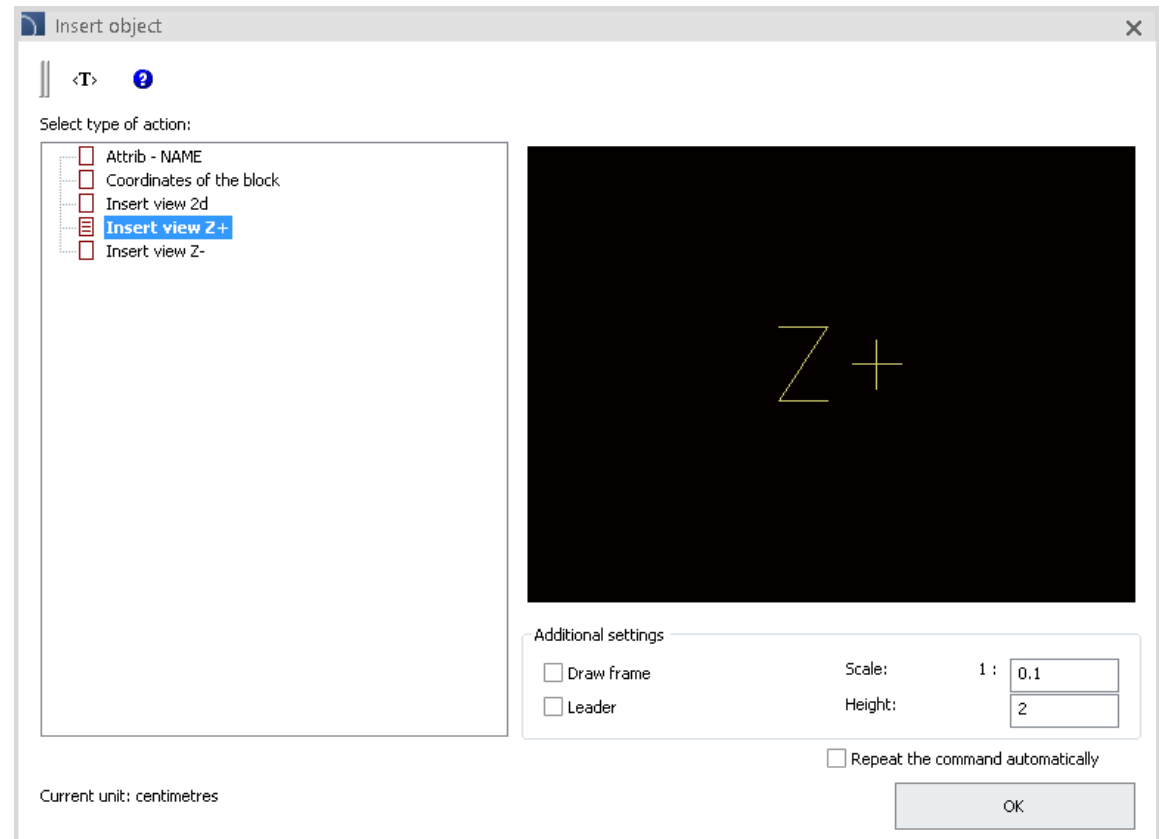
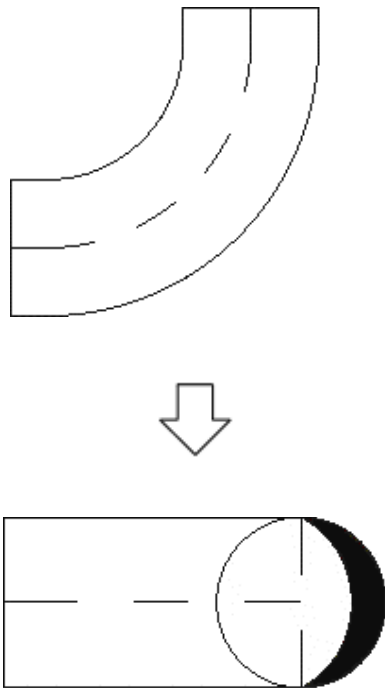
Pipeline with standardized elbows and automatic adjustment of the pipe length (with matched angle)

## ✓ Alternative view of 2D fittings



The *Create alternative view* command has been enhanced to support 2D fittings that have defined 2D, Z+ and Z- views.

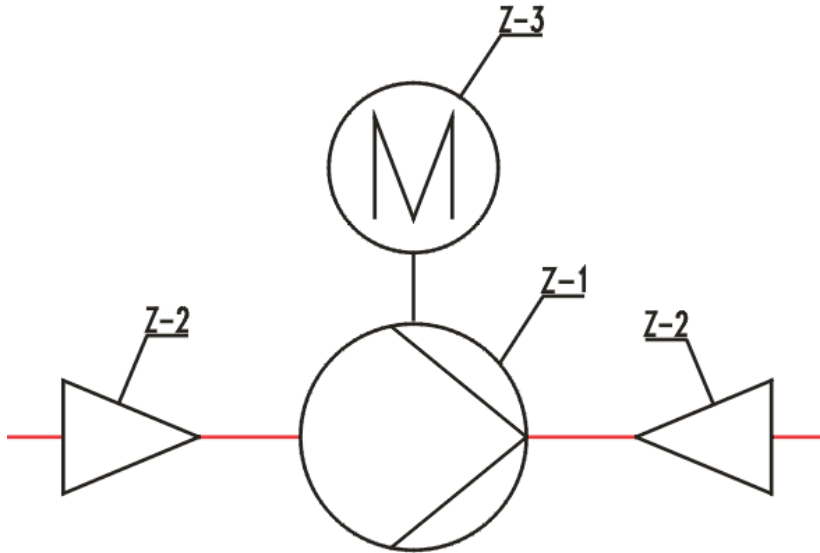
Thanks to this user can quickly insert in the drawing selected fitting view as a new block.



## ✓ Enhanced *Numbering* command

At the users request we have introduced a new numbering option: *The same number for similar objects*.

Selecting this option causes that similar objects, that have the same size or technical data, will be assigned with the same number.



|| <T> ?

Type of numbering

Prefix	Number	Suffix
Z-	1	

Start from first free number       Fix number  
 Prefix from system name                       Number suffix  
 Skip used numbers                                       Automatic position  
 The same number for similar objects               Draw leader

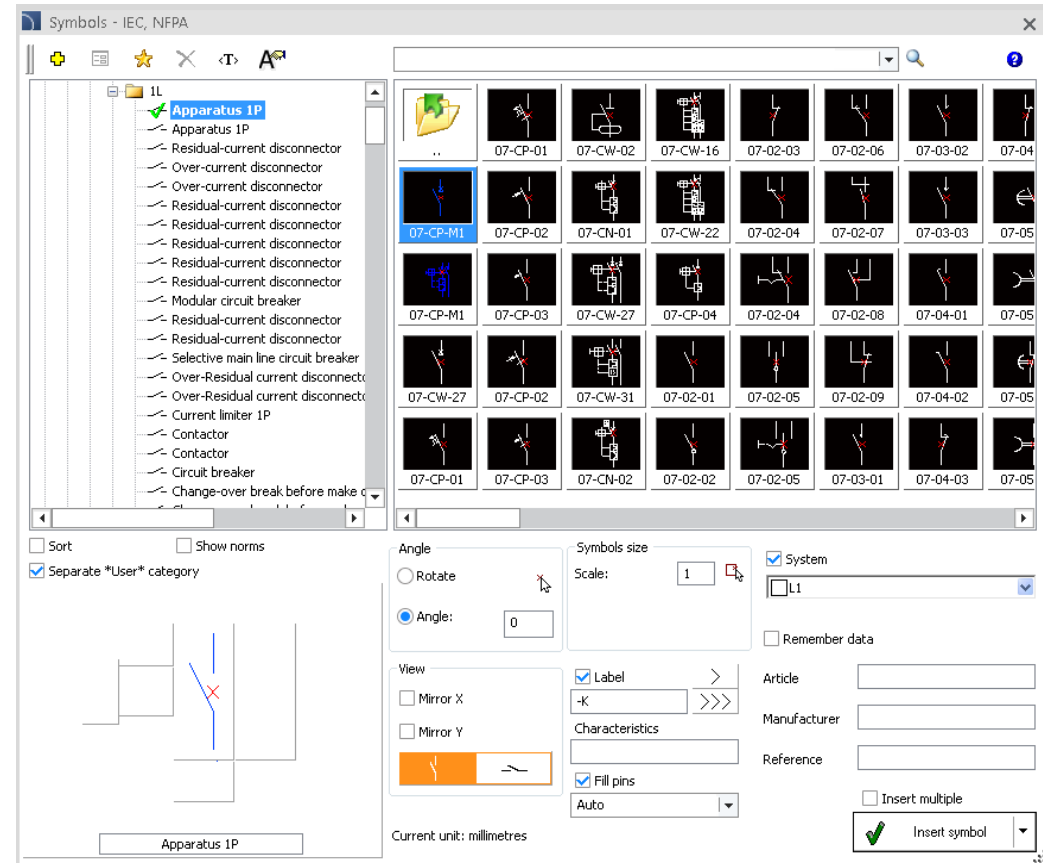
Numbers size

Height:       Scale: 1 :

Current unit: centimetres

## ✓ Fast switching between symbols views/variants

A possibility to quickly switch variants or views of symbols has been added to the program. Thanks to this user can easily change the selected symbol (e.g. IEC symbols from the vertical variant to the horizontal variant or furniture views from top view to front view).

The screenshot displays the 'Symbols - IEC, NFPA' window. On the left, a tree view shows a folder 'IL' containing 'Apparatus 1P' and a list of other electrical components like 'Residual-current disconnectors' and 'Circuit breakers'. The main area shows a grid of symbols, with '07-CP-M1' highlighted. The right panel contains configuration options: 'Angle' (Rotate or Angle: 0), 'View' (Mirror X or Y), 'Label' (-K), 'Characteristics', 'Fill pins' (Auto), 'System' (L1), 'Remember data', 'Article', 'Manufacturer', 'Reference', and 'Insert multiple' (checked). A preview window at the bottom shows the symbol 'Apparatus 1P' in a circuit diagram.

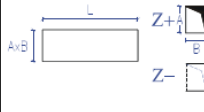
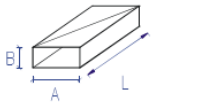
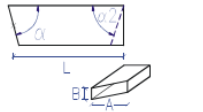
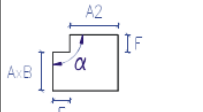
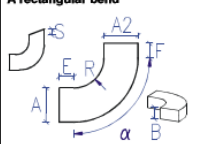
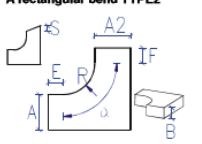
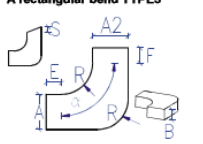
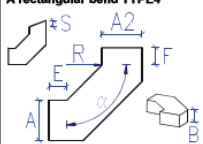
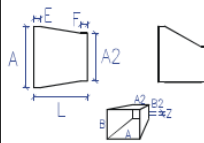
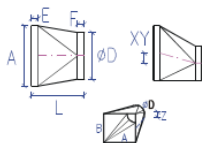
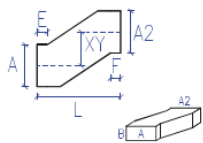
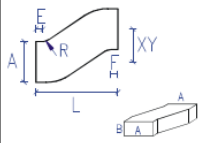
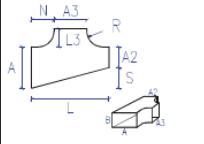
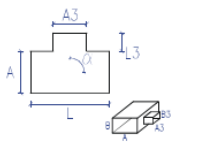
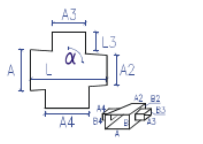
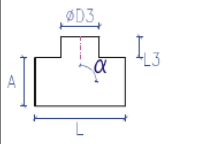


## ✓ Optimization of many commands

In various commands an additional functionality and optimization had been added to the program:

- Specifications – fittings catalogue and a correction of certain fittings in accordance to the catalogue.
- Additional symbols in the electrical module.
- Correction of fillings in isometric symbols.
- New fitting slides that include installation colour (makes easier to choose the appropriate system).
- Performance optimization while insulating multiple ducts and fittings.
- New program help (help on-line) run directly in the browser.

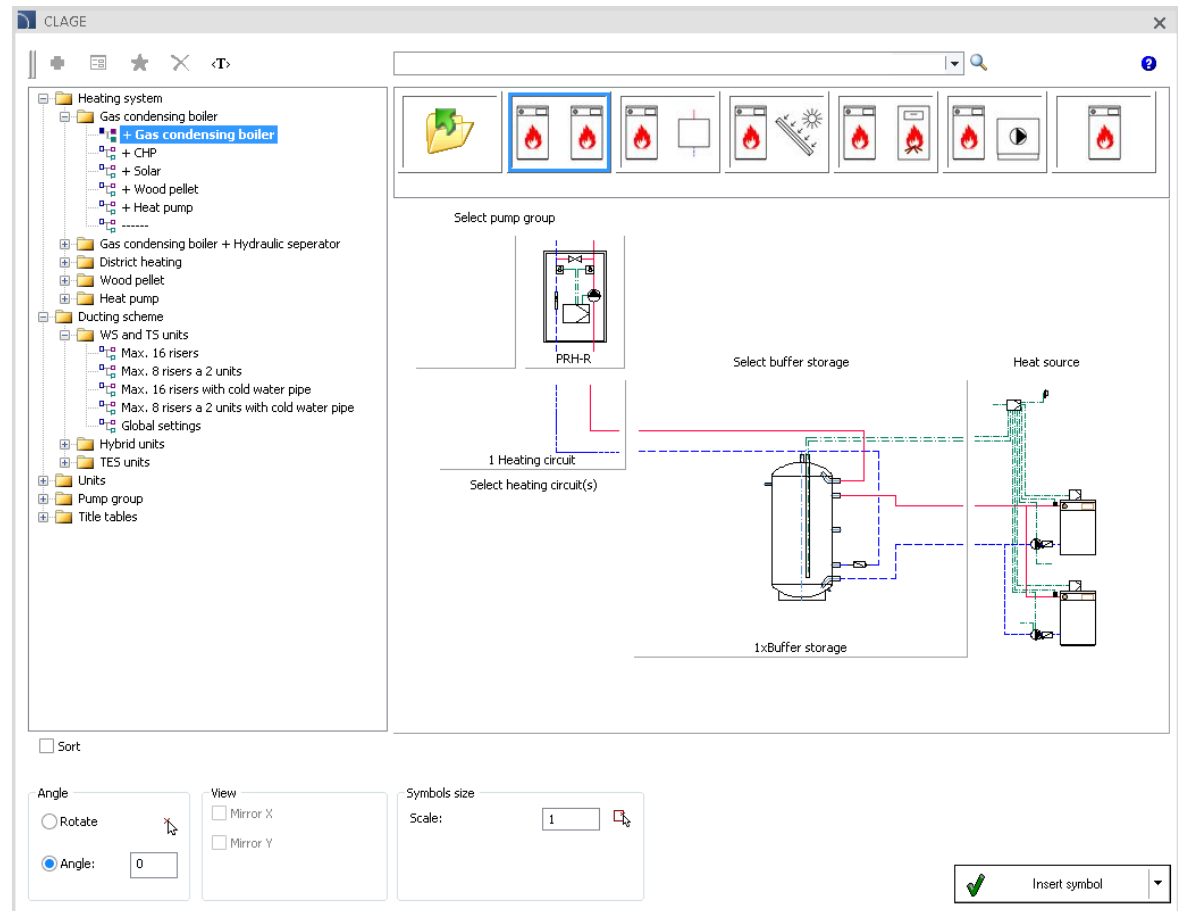
Rectangular fittings – an annex to specifications made in CP-System

<p><b>A rectangular pipe</b></p> 	<p><b>A rectangular duct (fit)</b></p> 	<p><b>A rectangular truncated duct</b></p> 	<p><b>An elbow</b></p> 
<p><b>A rectangular bend</b></p> 	<p><b>A rectangular bend TYPE2</b></p> 	<p><b>A rectangular bend TYPE3</b></p> 	<p><b>A rectangular bend TYPE4</b></p> 
<p><b>A rectangular reducer</b></p> 	<p><b>A rectangular-round reducer</b></p> 	<p><b>A fuller</b></p> 	<p><b>A fuller (bend)</b></p> 
<p><b>A tee-piece</b></p> 	<p><b>A tee-piece (simple)</b></p> 	<p><b>A reducing tee-piece</b></p> 	<p><b>A rectangular-round tee-piece</b></p> 

## ✓ New Clage library

Clage library allows for complex design of local apartment units. Program performs pressure calculations and helps in designing heating systems using the Clage housing stations.

Clage library also contains a generator of boiler room schemes and other heat sources with inclusion of buffer tanks.





# CADprofi

## ✓ New Magnaplast library

Magnaplast library allows to design sewage systems by using HTplus products.



The screenshot shows the Magnaplast software interface. On the left, a tree view shows the 'HTplus' library with sub-items for different diameters (DN 32, 40, 50, 75, 110, 125, 160). The main panel displays a list of products with their names and reference numbers. The 'Simple branches' section is expanded, showing 'HTEA 32x32 45° + HTB 32 45°' selected. Below the list, there is a 'View and insertion point' section with a '2D View' radio button selected, and a 'Parameters' section. A 2D technical drawing of a pipe assembly is shown in the bottom left, with points P1, P2, and P3 marked. The current unit is set to millimetres.

Name	Reference
Sequence of pipes socket HTEM 32 (L 1000)	408616
Pipes	
HTEM 32 (L 2000)	408816
HTEM 32 (L 1500)	408716
HTEM 32 (L 1000)	408616
HTEM 32 (L 500)	408416
HTEM 32 (L 250)	408216
HTEM 32 (L 150)	408116
Bends	
HTB 32 88.50°50'	421308
HTB 32 67°	421209
HTB 32 45°	421208
HTB 32 30°	421108
HTB 32 15°	421008
2 x HTB 32 45°	421208A
Reduction bend	
HTBR 32/50 90°	421412
Simple branches	
HTEA 32x32 88°50'	422608
HTEA 32x32 45°	422103
HTEA 32x32 45° + HTB 32 45°	422103A
Double socket	



# CADprofi

✓ Update of manufacturers' libraries:





# CADprofi

## ✓ Adjustment to many base CAD programs

CADprofi 2017 has been adjusted to work with latest CAD programs, including: 4MCAD 16, ArCADia 10, ARES Commander 2016, AutoCAD 2017, AviCAD 2017, BricsCAD V17, CADMATE 2016, CMS IntelliCAD 8.1, CMS IntelliCAD 8.2 (x64) GstarCAD 2016, GstarCAD 2017, progeCAD 2017 and ZWCAD 2017.

CADprofi 2017 currently works with many base CAD programs including: AutoCAD (since the 2000 version), BricsCAD, GstarCAD, IntelliCAD, progeCAD, ZWCAD, ARES Commander Edition and others.

The logo for AutoCAD, featuring the word 'AutoCAD' in a bold, red, sans-serif font with a registered trademark symbol.

The logo for ZWCAD, featuring the word 'ZWCAD' in a bold, blue, sans-serif font with a green leaf-like graphic above the 'W'.

The logo for GstarCAD, featuring the word 'GstarCAD' in a bold, blue and yellow, sans-serif font, with the tagline 'An Alternative CAD System' below it.

The logo for BricsCAD, featuring a stylized blue 'B' shape above the word 'BRICSCAD' in a bold, black, sans-serif font.

The logo for progeSOFT, featuring a blue globe with a yellow 'I' shape above the word 'progeSOFT' in a blue, sans-serif font.

The logo for IntelliCAD, featuring a purple diamond shape with a yellow 'I' shape above the word 'IntelliCAD' in a bold, purple, sans-serif font.